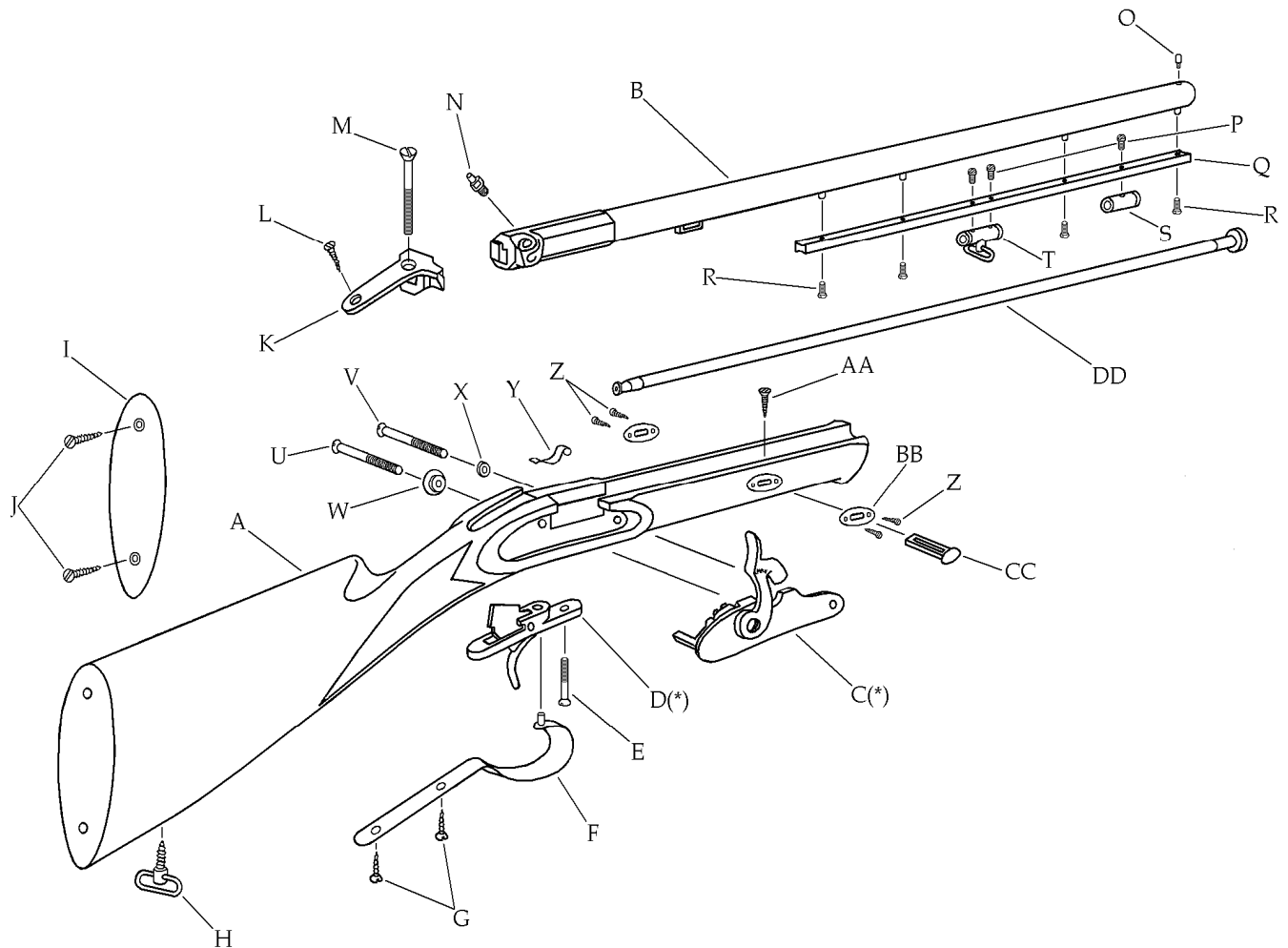


- Fowler Shotgun -
S-5002
 .12 cal. Percussion
 Blued Barrel



Description	Reference	Description	Reference
A Stock (Walnut) (Finished).....	FCS50021	O Front Sight.....	40011
B Barrel Assembly (Kit)		P Ramrod Thimble Screw (3).....	20614
.12 cal. percussion.....	C-500238	Q Barrel Rib.....	50012
Barrel Assembly Blued (Finished)		R Barrel Rib Screw (4).....	400031
.12 cal. percussion.....	FB500238	S Ramrod Thimble Front.....	21813
C Percussion Lock.....	25103	T Ramrod Thimble/ Swivel Rear.....	22438
D Trigger Assembly.....	40022	U Lock Plate Screw (Rear).....	25020
E Trigger Assembly Screw.....	10120	V Lock Plate Screw (Front).....	20221
F Trigger Guard.....	40023	W Lock Plate Washer (Rear).....	25019
G Trigger Guard Screw (2).....	20624	X Lock Plate Washer (Front).....	20840
H Sling Swivel Stud (Rear).....	25046	Y Ramrod Retaining Spring.....	20621
I Butt Pad.....	50026	Z Wedge Plate Screw (4).....	21817
J Butt Pad Screw (2).....	40027	AA Wedge Screw.....	36017
K Tang.....	25006	BB Wedge Plate.....	25016
L Tang Screw Rear.....	20624	CC Wedge.....	25018
M Tang Screw Front.....	25009	DD Ramrod Assembly.....	50028
N Nipple Percussion Only.....	20608		

(*) Exploded view at the reverse.