

- Hawken Woodsman Rifle (Brass) -

Models:

Finished

Kit

R-2390
.50 cal. flint. 1-66"
Blued Barrel

R-2390801
.50 cal. flint. 1-48"
Blued Barrel

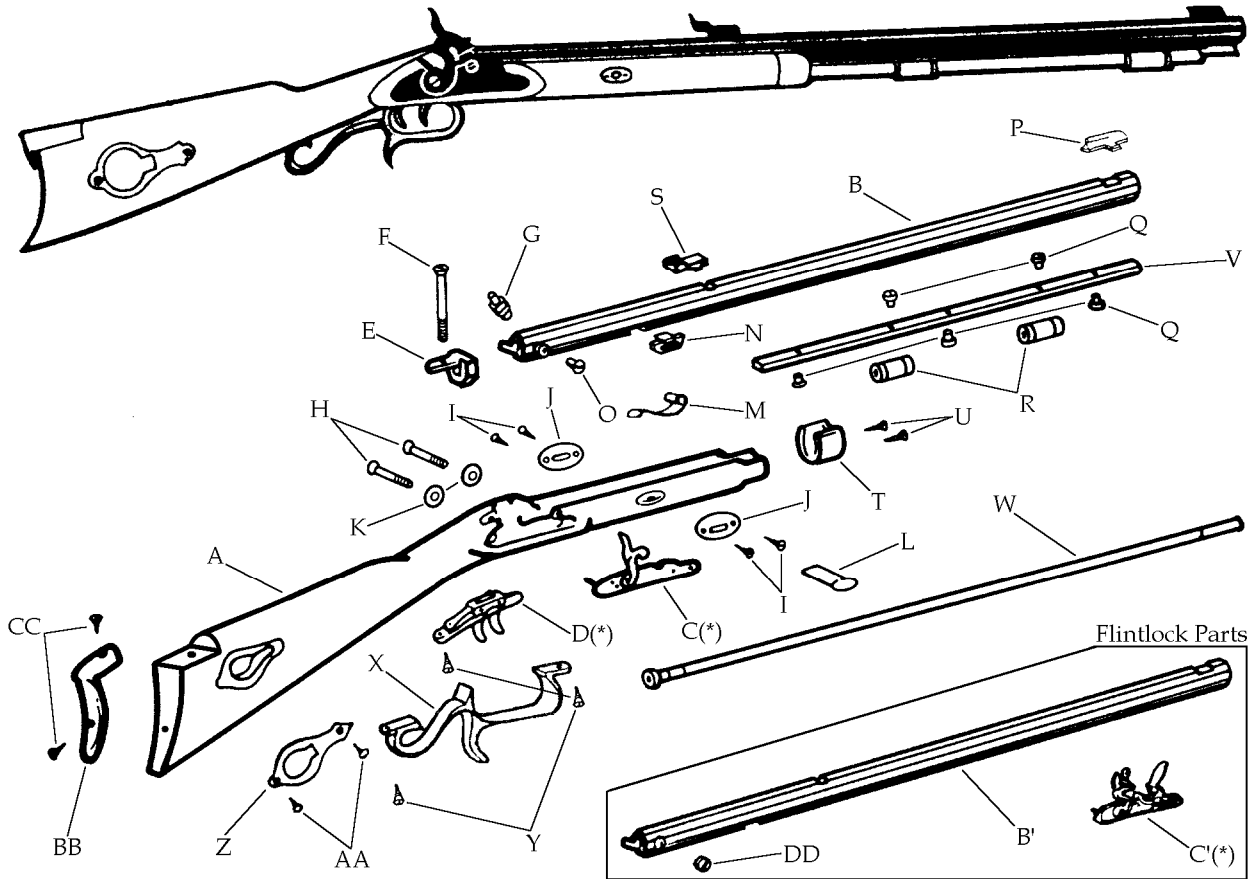
R-2405
.45 cal. perc. 1-66"
Blued Barrel

R-2400
.50 cal. perc. 1-66"
Blued Barrel

R-24008
.50 cal. perc. 1-48"
Blued Barrel

R-24048
.54 cal. perc. 1-48"
Blued Barrel

KR-5245
.45 cal. perc. 1-66"
Blued Barrel



Description	Reference	Description	Reference
A Stock Beech (Kit).....	K-24001	H Lock Plate Screw (2).....	20120
Stock Beech Flintlock (Finished).....	FCS23901	I Stock Plate Screw (4).....	20617
Stock Beech Percussion (Finished).....	FCS24001	J Stock Plate (2) (Brass).....	22216L
B Barrel Assembly (Kit) (Length 28")		K Lock Plate Washer (2).....	20840
.45 cal. perc. (twist 1-66").....	C-240025	L Barrel Tennon Wedge.....	22218-2
.50 cal. perc. (twist 1-66").....	C-240020	M Ramrod Retaining Spring.....	20621
.50 cal. perc. (twist 1-48").....	C-240080	N Barrel Tennon.....	20533
.54 cal. perc. (twist 1-48").....	C-240048	O Bolster Screw -Percussion Only.....	20605
Barrel Assembly (Finished) (Length 28")		P Front Sight.....	30611
.45 cal. perc. Blued (twist 1-66").....	FB240025	P' Front Sight (45 cal. Only).....	20611
.50 cal. perc. Blued (twist 1-66").....	FB240020	Q Thimble/Barrel Rib Screw (5).....	20614
.50 cal. perc. Blued (twist 1-48").....	FB240080	R Ramrod Thimble (2) (Brass).....	20613
.54 cal. perc. Blued (twist 1-48").....	FB240048	S Rear Sight.....	40610
B' Barrel Assembly (Kit) (Length 28")		S' Rear Sight (45 cal. Only).....	22810
.50 cal. flint. (twist 1-48").....	C-239080	T Nose Cap (Brass).....	24015
.50 cal. flint. (twist 1-66").....	C-239020	U Nose Cap Screw (2).....	20627
Barrel Assembly (Finished) (Length 28")		V Barrel Rib.....	24012
.50 cal. flint. Blued (twist 1-48").....	FB239080	W Ramrod Assembly (Synthetic).....	22228M
.50 cal. flint. Blued (twist 1-66").....	FB239020	X Trigger Guard (Brass).....	20823
C Percussion Lock.....	20803	Y Trigger Guard Screw (3).....	20624
C' Flintlock.....	20703	Z Patchbox (Brass).....	20435
D Trigger Assembly.....	20622R	AA Patchbox Screw (2).....	400024
E Barrel Tang.....	20606	BB Butt Plate (Brass).....	24026
F Tang Screw.....	20609	CC Butt Plate Screw (2).....	20627
G Nipple Percussion Only.....	20608	DD Touch Hole Insert -Flintlock Only.....	20534

(*) Exploded view at the reverse.