

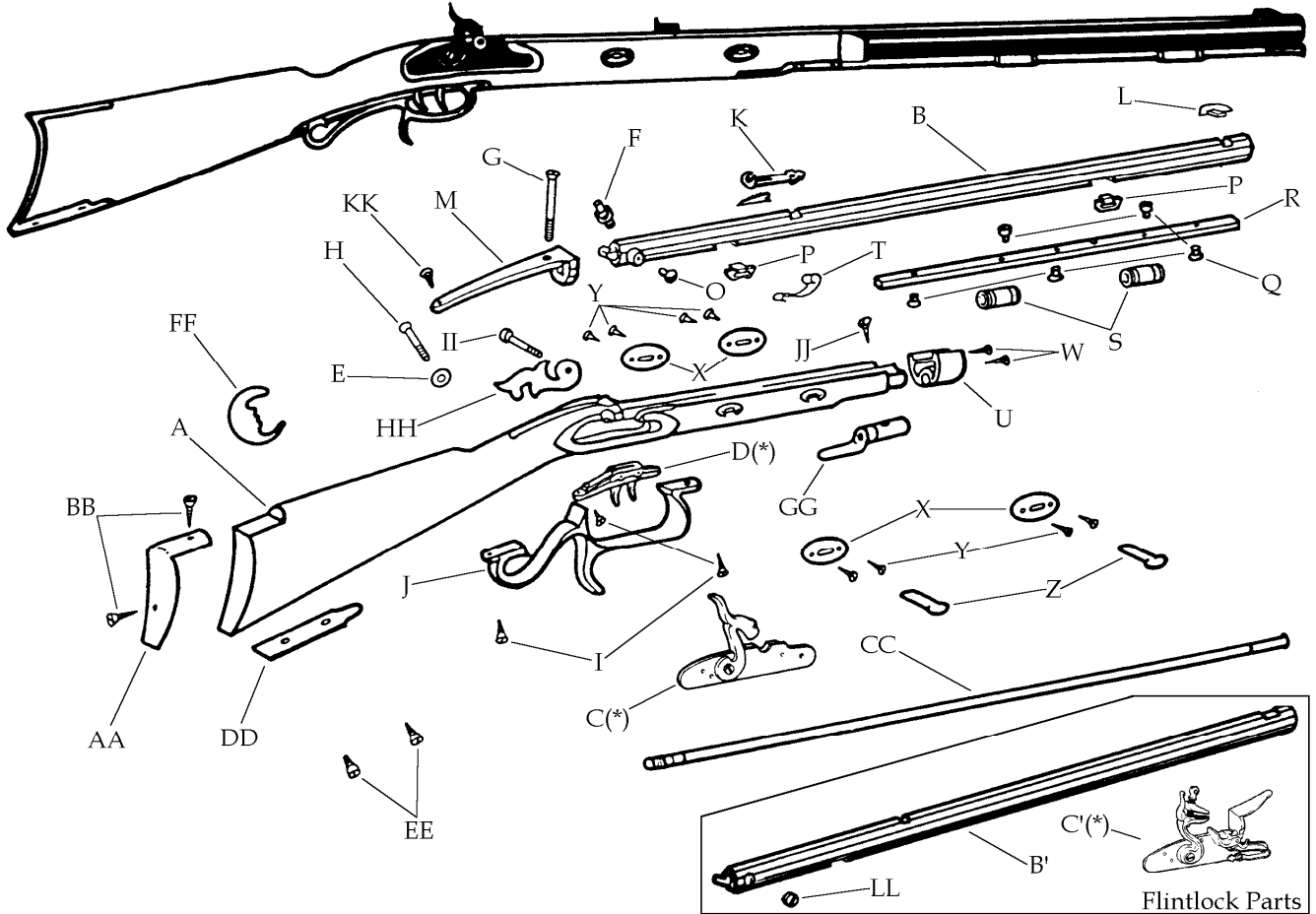
- Hawken Rifle -

Models:

Finished

Kit

R-2075	R-2085	R-2070	R-2080	R-2074	R-2084	KR-5275	KR-5285	KR-5070	KR-5280
.45 cal. Flintl.	.45 cal. Perc.	.50 cal. Flintl.	.50 cal. Perc.	.54 cal. Flintl.	.54 cal. Perc.	.45 cal. Flintl.	.45 cal. Perc.	.50 cal. Flintl.	.50 cal. Perc.



Description	Reference	Description	Reference
A Stock Walnut (kit).....	K-20801	J Trigger Guard (Brass).....	20823
Stock Walnut (Flintlock) (Finished).....	FCS20701	K Rear Sight.....	22810
Stock Walnut (Percussion) (Finished).....	FCS20801	L Front Sight.....	20611
B Barrel Assembly (Kit) (Length 32")		M Tang.....	20806
.45 cal. perc. (twist 1-32").....	C-208025	O Bolster Screw Percussion Only.....	20605
.50 cal. perc. (twist 1-66").....	C-208020	P Barrel Tennon (2).....	20533
.54 cal. perc. (twist 1-66").....	C-208024	Q Rib & Thimble Screw (5).....	20614
Barrel Assembly Blued (Finished) (Length 32")		R Barrel Rib.....	20612
.45 cal. perc. (twist 1-32").....	FB208025	S Thimble (2) (Brass).....	20613
.50 cal. perc. (twist 1-66").....	FB208020	T Ramrod Retaining Spring.....	20621
.54 cal. perc. (twist 1-66").....	FB208024	U Nose Cap (Brass).....	20815
B' Barrel Assembly (Kit) (Length 32")		W Nose Cap Screw (2).....	20827
.45 cal. flint. (twist 1-66").....	C-207025	X Wedge Plate (4) (Brass).....	22216L
.50 cal. flint. (twist 1-66").....	C-207020	Y Wedge Plate Screw (8).....	20617
.54 cal. flint. (twist 1-66").....	C-207024	Z Wedge.....	22218-3
Barrel Assembly Blued (Finished) (Length 32")		AA Butt Plate (Brass).....	20826
.45 cal. flint. (twist 1-66").....	FB207025	BB Butt Plate Screw (2).....	20627
.50 cal. flint. (twist 1-66").....	FB207020	CC Ramrod Assembly.....	20828
.54 cal. flint. (twist 1-66").....	FB207024	DD Toe Plate (Brass).....	20831
C Percussion Lock.....	20803	EE Toe Plate Screw (Brass).....	20624
C' Flintlock.....	20703	FF Quarter Moon (Brass).....	20836L
D Trigger Assembly.....	20622R	GG Rear Ramrod Thimble (Brass).....	21014
E Lock Washer.....	20840	HH Side Plate (Brass).....	20816
F Nipple Percussion Only.....	20608	II Front Lock Screw.....	20820
G Tang Screw (Front).....	20841	JJ Ramrod Thimble Screw.....	21025
H Rear Lock Screw.....	20620	KK Tang Screw (Rear) (Wood).....	20624
I Trigger Guard Screw.....	20624	LL Touch Hole Insert -Flintlock Only-.....	20534

(*) Exploded view at the reverse.