

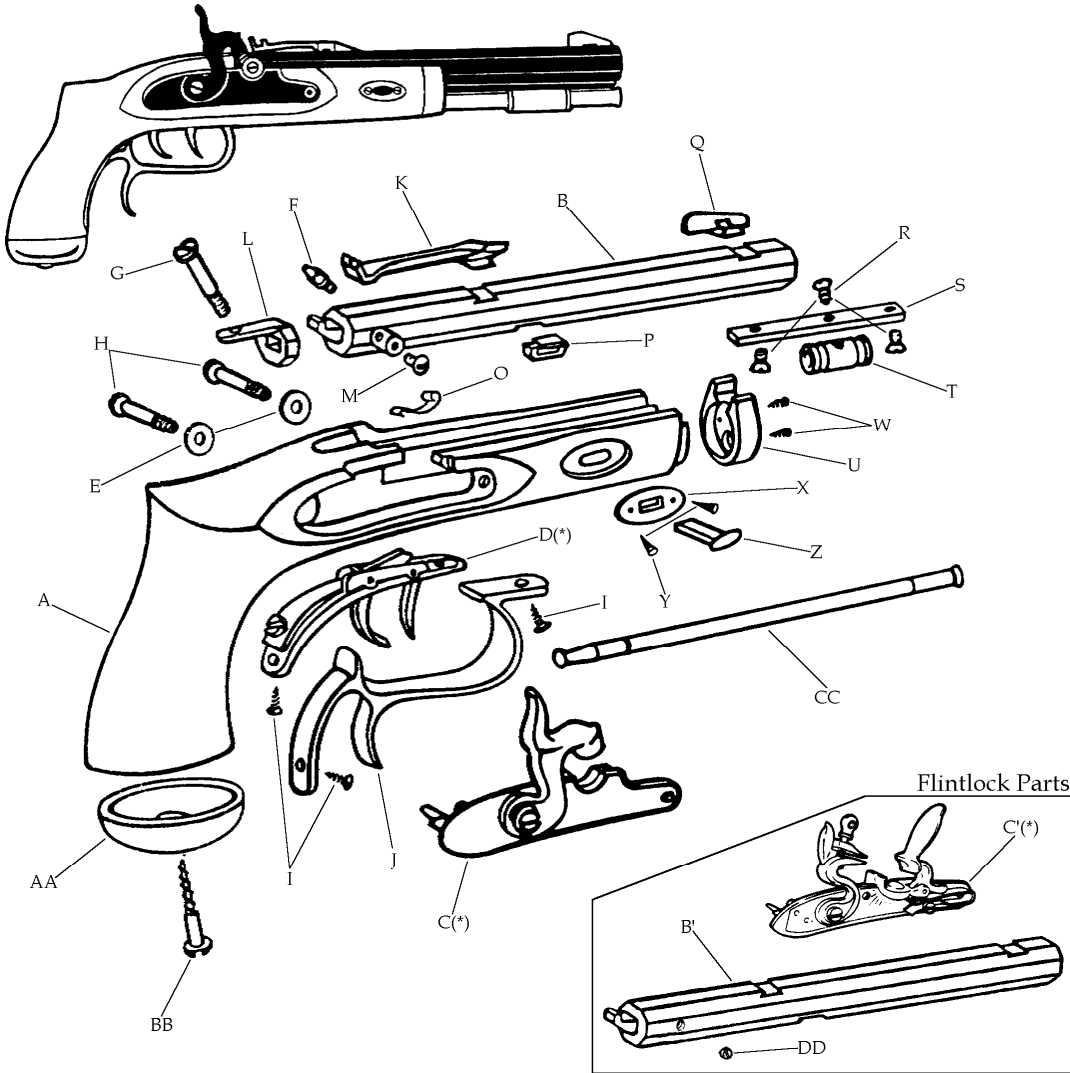
- Trapper Pistol -

Models: Finished

Kit

P-1105 .45 cal. perc. 1-16" Blued Barrel	P-1090 .50 cal. flint. 1-20" Blued Barrel	P-1100 .50 cal. perc. 1-20" Blued Barrel
---	--	---

KP-5105 .45 cal. perc. 1-16" Blued Barrel	KP-5090 .50 cal. flint. 1-20" Blued Barrel	KP-5100 .50 cal. perc. 1-20" Blued Barrel
--	---	--



Description	Reference	Description	Reference
A Stock (Beech) (kit).....	K-11001	I Trigger Guard Screw.....	20624
Stock Beech (Flintlock) (Finished).....	FCS10901	J Trigger Guard (Brass).....	11023
Stock Beech (Percussion) (Finished).....	FCS11001	K Rear Sight.....	20610
B Barrel Assembly (Kit)		L Tang.....	20606-1
.45 cal. perc. (twist 1-16").....	C-110025	M Bolster Screw Percussion Only.....	20605
.50 cal. perc. (twist 1-20").....	C-110020	O Ramrod Retaining Spring.....	20621
Barrel Assembly Blued (Finished)		P Barrel Tennon.....	20533
.45 cal. perc. (twist 1-16").....	FB110025	Q Front Sight.....	20611
.50 cal. perc. (twist 1-20").....	FB112020	R Rib & Thimble Screw (3).....	20614
B' Barrel Assembly (Kit)		S Barrel Rib.....	11012
.50 cal. flint. (twist 1-20").....	C-109020	T Thimble.....	20613
Barrel Assembly Blued (Finished)		U Nose Cap (Brass).....	11015
.50 cal. flint. (twist 1-20").....	FB109020	W Nose Cap Screw (2).....	20627
C Percussion Lock.....	20603	X Wedge Plate (2).....	22216L
C' Flintlock.....	20503	Y Wedge Plate Screw (4).....	20617
D Trigger Assembly.....	20622P	Z Wedge.....	22218-2
E Lock Washer (2).....	20619	AA Grip Cap (Brass).....	10826
F Nipple Percussion Only.....	20608	BB Grip Cap Screw.....	10827
G Tang Screw.....	20209	CC Ramrod.....	11028
H Lock Screw (2).....	20220	DD Touch Hole Insert -Flintlock Only-.....	20534

(*) Exploded view at the reverse.