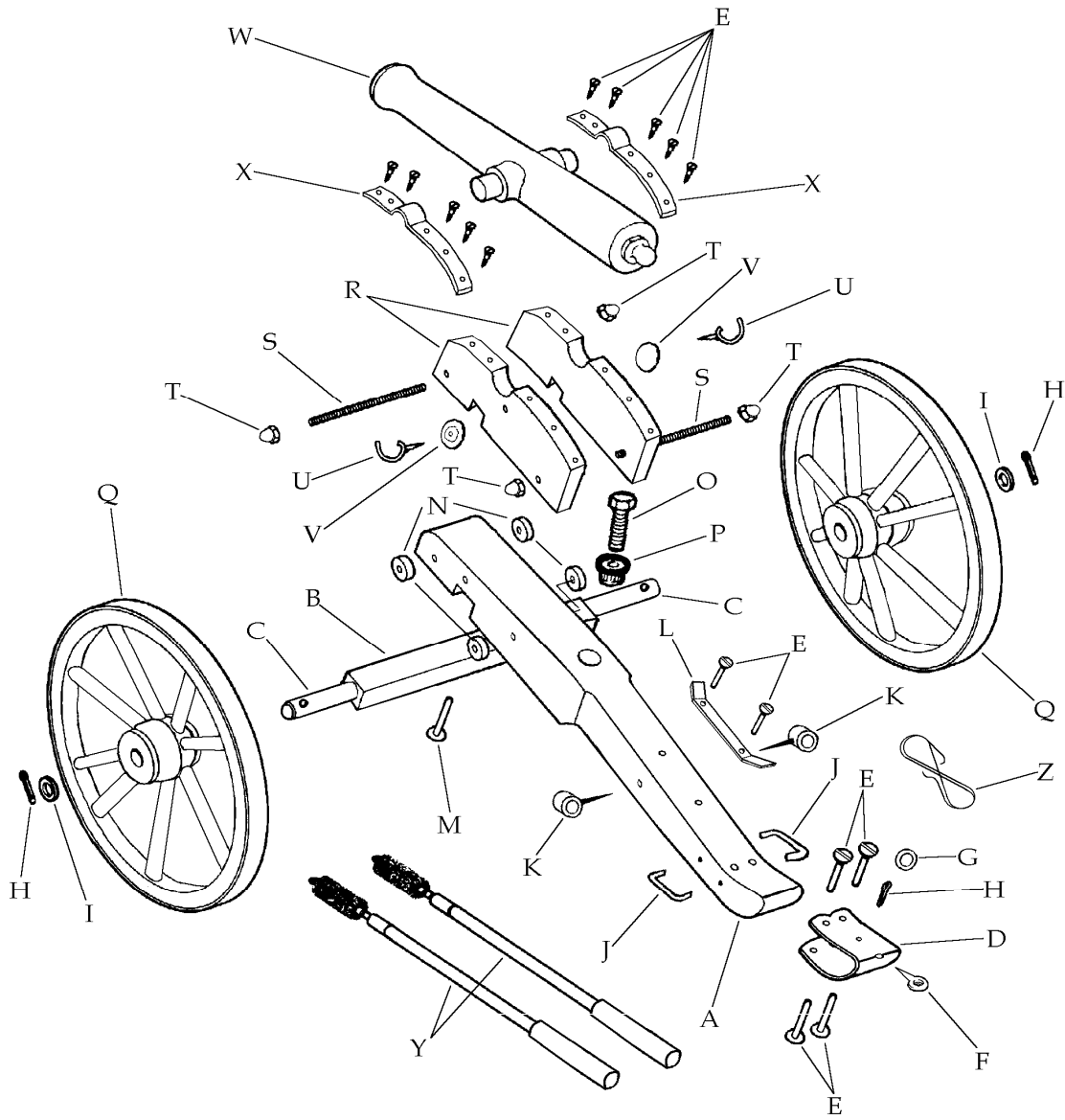


- Napoleon III (Mini) Cannon -
 Models: CN-8021
 Nickel .50 cal.



Description	Reference	Description	Reference
A Carriage Trail.....	CNM36	N Inside Trail Washer (4).....	CNG20
B Wooden Axle.....	CY13	O Elevating Screw.....	CNM9
C Metal Axle Rod.....	CNM40	P Elevating Screw Collar.....	CNM31
D Towing Pintle.....	CNM25	Q Wheel Assembly (2).....	CNM-38
E Towing Pintle Screw (16).....	MCNG28	R Wooden Side Plate (2).....	CNM35
F Hook Eye.....	CB3	S Side Plate Through Bolt (2).....	CNM10
G Loop.....	MCB4	T Side Plate Through Bolt Nut (2).....	CNM14
H Steel Pin (3).....	CNG25	U Ramrod Bracket (2).....	CNM30
I Wheel Washer (2).....	CNM12	V Washer (2).....	CNM15
J Grab Iron (2).....	CNG68	W Barrel.....	CNM-1
K Ramrod Pocket (2).....	CNM7	X Bridle (2).....	CNM2
L Tie Down.....	CNM16	Y Wooden Ramrod Assembly (2).....	CNM4
M Wooden Axle Screw.....	CB5	Z Cord.....	CNM17