

Any warranty claim must be accompanied by a copy of the original receipt showing date of purchase. Fill in this form only if your product has to be sent back for repair.

Lors d'une réclamation Aimpoint exige la présentation par l'acheteur d'une copie du reçu daté. Remplissez ce formulaire si votre produit doit être renvoyé pour réparation seulement.

Beim Eintreten eines Garantiefalles muss dem Produkt eine Kopie der Originalrechnung mit Angabe des Kaufdatums beigelegt werden. Dieses Formular bitte nur ausfüllen, wenn das Produkt zur Reparatur retourniert werden muss.

Cualquier reclamación en garantía deberá acompañarse con copia original de la nota de compra y la fecha de la misma. Rellene este formulario sólo en caso de que el producto deba enviarse a la empresa para su reparación.

För att reklamationen skall falla inom Aimpoints garanti, krävs att kunden styrker inköpsdatum med exempelvis inköpskvitto. Fyll endast i detta formulär om produkten måste sändas tillbaka för reparation.

Serial no:
No de série:

Aimpoint AB
Jägershillgatan 15
SE- 213 75 Malmö, Sweden
Phone +46 (0)40 671 50 20
Fax +46 (0)40 21 92 38
e-mail: info@aimpoint.se
www.aimpoint.com

Aimpoint Inc.
14103 Mariah Court
Chantilly, VA 20151-2113, USA
Phone +1 703-263-9795
Fax +1 703-263-9463
e-mail: info@aimpoint.com
www.aimpoint.com

© Copyright 2010. Contents property of Aimpoint. All rights reserved. 12736



Aimpoint®

User's Manual for
Aimpoint® Hunter series

Manuel d'utilisation pour les séries
Aimpoint® Hunter

Benutzerhandbuch für die Modelle
Aimpoint® Hunter

Manual de instrucciones para
las series Hunter de Aimpoint®

Användarmanual för
Aimpoint® Hunter serien

THE FUTURE IN SIGHT.

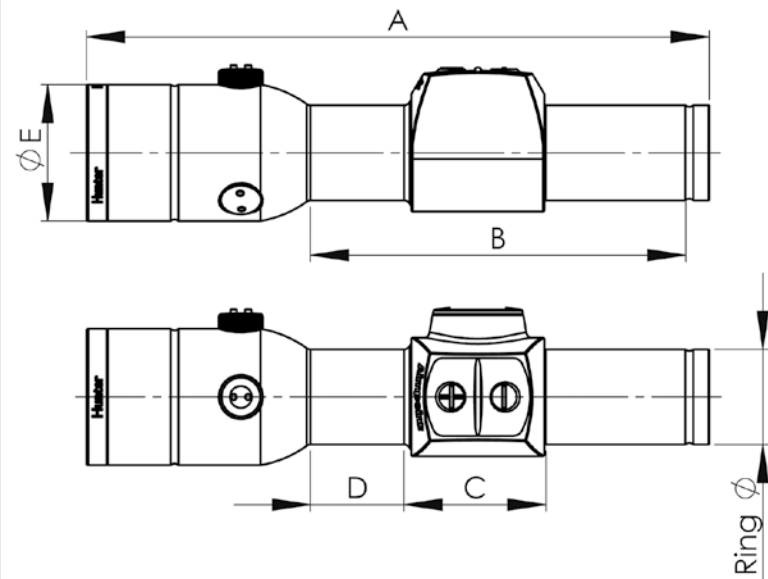


FIG 1

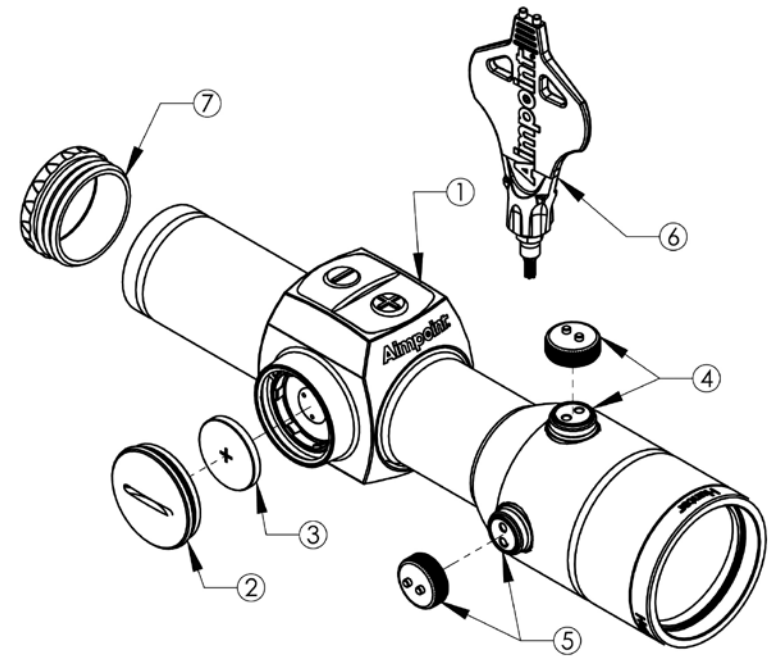


FIG 2

H30L

H30S



H34L

H34S



Owner's name.....

Phone.....

Address.....

City..... ZipCode..... Country.....

Place of purchase.....

Address..... Phone.....

City..... Country.....

Date of purchase.....

Model of sight purchased.....

INDEX

ENGLISH 2–8

- 1.1 Presentation 2
- 1.2 Specifications 2
- 2.1 Assembly and preparation for use 4
 - 2.1.1 Installing Battery 4
 - 2.1.2 Installing Rings and Sight on the firearm 4
- 2.2 Operating Procedures 5
 - 2.2.1 Zeroing 5
- 3.1 If special procedures are required 6
- 4.1 Red dot does not appear 7
- 4.2 Impossible to zero 7
- 4.3 Dot does not appear to be round 7
- 5.1 Maintenance required 8

FRANÇAIS 9–15

- 1.1 Présentation 9
- 1.2 Caractéristiques Techniques 9
- 2.1 Assemblage et préparatifs 11
 - 2.1.1 Mise en place de la pile 11
 - 2.1.2 Mise en place des colliers et du viseur sur l'arme 11
- 2.2 Modes Opérateurs 12
 - 2.2.1 Zéro tage 12
- 3.1 Si les procédures spéciales sont nécessaires 14
- 4.1 Le point rouge n'apparaît pas 14
- 4.2 Impossible de zéroter 14
- 4.3 Le point ne paraît pas rond 15
- 5.1 Entretien requis 15

DEUTSCH 16–22

- 1.1 Einführung 16
- 1.2 Technische Einzelheiten 16
- 2.1 Zusammenbau und Arbeitsvorbereitung 18
 - 2.1.1 Einlegen der Batterie 18
 - 2.1.2 Ringe und Visier an der Waffe anbauen 18
- 2.2 Bedienung 19
 - 2.2.1 Zentrieren 19
- 3.1 Wenn spezielle Verfahren erforderlich sind 21
- 4.1 Roter Leuchtpunkt erscheint nicht 21
- 4.2 Zentrieren nicht möglich 22
- 4.3 Roter Leuchtpunkt wirkt nicht rund 22
- 5.1 Wartung erforderlich 22

ESPAÑOL 23–29

- 1.1 Presentación 23
- 1.2 Especificaciones 23
- 2.1 Montaje y preparativos para el uso 25
 - 2.1.1 Instalación de la pila 25
 - 2.1.2 Colocación de las anillas y la mira en el arma 25
- 2.2 Procedimientos Para La Operación 26
 - 2.2.1 Puesta a cero 26
- 3.1 Procedimientos especiales 28
- 4.1 El punto rojo no aparece 28
- 4.2 Es imposible la puesta a cero 28
- 4.3 El punto no parece ser redondo 29
- 5.1 Mantenimiento 29

SVENSKA 30–35

- 1.1 Presentation 30
- 1.2 Specifikationer 30
- 2.1 Montering och förberedelser 32
 - 2.1.1 Montering av batteriet 32
 - 2.1.2 Montering av ringar och sikten på vapnet 32
- 2.2 Användning 33
 - 2.2.1 Inskjutning 33
- 3.1 Om särskilda förfaranden krävs 34
- 4.1 Den röda punkten syns inte 35
- 4.2 Omöjligt att skottställa 35
- 4.3 Punkten verkar inte vara rund 35
- 5.1 Underhållsbehov 35

WARRANTY 36

- GARANTIE 37
- GARANTIE 38
- GARANTIA 39
- GARANTI 40

AIMPOINT® HUNTER SERIES

CHAPTER I

1.1 Presentation

Aimpoint Hunter series sights are non-magnifying (1X) red dot sights specially designed for use on hunting rifles and shotguns. Aimpoint Hunter series sights have a processor-controlled brightness intensity function with a digital touch pad adjustment for varying the brightness of the red dot to match the conditions where you are shooting.

Aimpoint sights are designed for the “both eyes open” method of sighting, which greatly enhances situational awareness and target acquisition speed. Thanks to our parallax-free design, the dot always follows the movement of the user's eye while remaining fixed on the target. The sight design allows for unlimited eye-relief.

This new series of Aimpoint sights uses our latest ACETechnology™ internal electronics which combines the sights superior accuracy and speed with significantly lower power usage to maximize battery life.

1.2 Specifications

All models

TECHNOLOGY

Electronics	ACET (Advanced Circuit Efficiency Technology)
Operating principle	Reflex Collimator Sight, Red Dot Sight No centering required

OPTICAL DATA

LED (Light Emitting Diode)	Red dot, (650 nm wavelength) Totally eye-safe
Dot size	2 MOA*
Optical magnification	1X, unlimited eye relief
Anti-reflex coating	All lens surfaces
Multi-layer coating	Objective lens

ELECTRONIC DATA

Battery	One 3V Lithium battery, type CR2032
Battery life	50,000 hours, at setting 7
Dot intensity adjustment	Digital touch pad, 12 settings (1 off)

MECHANICAL DATA

Material housing/tube	High Strength Aluminum
Surface treatment/finish	Anodized, semi-matte
Color housing	Black
Color touch pad	Dark Green
Material touch pad	Silicon rubber
Material lens covers	Polymer – Black
Adjustment	1 click = 20mm at 100 meters, 1/2" at 80 yards
Mounting method	2 rings, H30S/L =30 mm, H34S/L =34 mm

ENVIRONMENTAL DATA

Temperature resistance	-30° – +60° C / -20° – +140° F
Water resistant	Fully Waterproof
Chemical resistance	Avoid contact with diesel fuel and chemical weapon cleaners when operating the touch pad

DIMENSIONS

See fig. 1, page I

Model	ØRing mm / "	A mm / "	B mm / "	C mm / "	D mm / "	ØE mm / "	Weight g / oz
H30S	30 / 1.2	197 / 7.8	118 / 4.65	45 / 1.77	29.5 / 1.2	43 / 1.7	225 / 7.9
H30L	30 / 1.2	229 / 9.0	150 / 5.90	45 / 1.77	40.5 / 1.6	43 / 1.7	235 / 8.3
H34S	34 / 1.4	197 / 7.8	118 / 4.65	45 / 1.77	29.5 / 1.2	47 / 1.85	250 / 8.8
H34L	34 / 1.4	229 / 9.0	150 / 5.90	45 / 1.77	40.5 / 1.6	47 / 1.85	260 / 9.2

ARTICLE NUMBERS

H30S: 12690, H30L: 12691, H34S: 12692, H34L: 12693

*MOA (minute of angle) 1 MOA ~ 30 mm at 100 meters ~ 1" at 100 yards

LOCATION AND DESCRIPTION OF MAJOR COMPONENTS

See fig. 2, page II

1. Digital Intensity Touch Pad
2. Battery Cap
3. Battery (type CR2032)
4. Adjustment Cap/Screw (vertical)
5. Adjustment Cap/Screw (horizontal)
6. Adjustment Tool
7. Eyepiece

CHAPTER II

OPERATION UNDER NORMAL CONDITIONS

Start the sight by pushing down [+] or [-] on the intensity adjustment touch pad (1) located on top of the sight. The brightness of the dot starts automatically at intensity level 7 of 12. Turn the sight off by holding the [-] button down for 1.5 seconds.

2.1 Assembly and preparation for use

WARNING: Firearms must be unloaded and made safe before attempting to install, remove or perform maintenance on the sight!

2.1.1 Installing Battery

a) Remove battery cap (2) by turning it counter clockwise using the plastic adjustment tool included with your sight.

NOTE: The use of coins or metal tools to remove the battery cap is not recommended.

b) Insert battery (3) with positive [+] end toward cap (2).

CAUTION: When replacing battery (3), make sure that the rubber O-ring is present and not damaged. Failure to do so could result in water entering the battery compartment.

c) Install battery cap (2) by carefully aligning the threads on the battery cap (2) with the threads in the sight body, then turn the battery cap (2) clockwise until snug. Hand tighten only using the adjustment tool (6) included with your sight.

d) Verify that red dot is present by pressing [+] or [-] intensity buttons (1) on the sight.

2.1.2 Installing Rings and Sight on the firearm

WARNING: Mounting any optical device too close to the user's eye can cause the device to impact the shooter's face or eyes during recoil, possibly causing severe injury. If you are unfamiliar with mounting optics on firearms, or in choosing the appropriate parts to mount your sight, please consult your dealer, gunsmith or other qualified source.

Aimpoint Hunter Series sights are designed for installation on most types of hunting rifles and shotguns. The H30L and H34L are designed to provide sufficient space between the front and rear mounts for use on long and magnum action rifles. The H30S and H34S are designed for standard length action rifles and many types of shotguns.

NOTE: The use of Hunter Series sights is not recommended on super magnum revolvers (S&W 500, S&W 460SVR etc). Due to the extreme recoil forces and frame movement produced by these firearms, optics must be mounted using two heavy duty steel mounting rings and a solid one piece mounting base designed specifically for use with these revolvers. Please consult your Dealer or qualified gunsmith for more information.

For mounting, use two good quality scope rings, and mount bases designed specifically for use on your firearm. Care must be taken to ensure that mounting the sight does not interfere with the safe operation of your firearm or obstruct the ejection of empty cases or shells.

- a) Ensure that the mounting bases are parallel and aligned, and properly secured to the firearm.
- b) Assemble the rings on the sight so that they are spaced properly to match the mounting bases.

NOTE: Make sure that your rings and mounts provide clearance between the bottom of the front part of the sight and the firearm. When properly mounted, the body of the sight should not be in contact with the firearm.

c) Assemble the sight to the weapon using standard 30 mm (for H30L or H30S) or 34 mm (for H34L or H34S) rings.

d) The use of lens covers is recommended for protecting the optical components of your sight during storage or transport. When installing your sight, ensure that lens covers can be positioned and removed once the sight is mounted on the weapon.

e) Finally, make sure that all screws of both rings are firmly tightened around the sight. The use of thread sealer is recommended.

NOTE: Over-tightening ring screws can cause damage to your sight.

g) Complete the zeroing process (2.2.1).

2.2 Operating Procedures

2.2.1 Zeroing

WARNING: Sighting in and zeroing should be done at a supervised range facility or other safe shooting area. Unload and make your firearm safe before making adjustments to your sight! If you are unfamiliar with the use of firearms or safety at the range, please consult your dealer, gunsmith or other qualified source.

Hunter sights are shipped from the factory with the dot in a centered position. Normally this means that only small adjustments should be necessary, providing that your rings and bases are properly aligned, and mounting hardware secured properly.

CAUTION: Do not continue to adjust windage and elevation adjustment screws if you encounter resistance.

The elevation (up and down) adjustment screw (4) is located on top of the sight, and the windage (left and right) adjustment screw (5) is located on the right side.

a) Turn the sight on by pushing down the [+] or [-] buttons on the digital touch pad (1) until the red dot has a sufficient intensity to contrast against the target. For best accuracy, do not make the dot brighter than necessary to match the light conditions where you are shooting.

NOTE: When you turn on the sight, brightness is automatically at position 7 out of 12.

b) Remove the windage and elevation adjustment screw caps (4)/(5).

NOTE: Each click of the adjustment screw corresponds to a 16 mm movement of the point of impact at 80 meters, (20 mm at 100 meters and 1/2" at 80 yds).

c) To turn the adjustment screws (4)/(5), use the adjustment tool (6) included with your sight or the projections on the top side of the caps (4)/(5):

- To move the point of impact to the right, turn the windage adjustment screw (5) counter clockwise.

- To move the point of impact to the left, turn the windage adjustment screw (5) clockwise.

- To move the point of impact up, turn elevation adjustment screw (4) counter clockwise.

- To move the point of impact down, turn the elevation adjustment screw (4) clockwise

d) Confirm zeroing by firing at least three shots at a zeroing target. Check impact points on zeroing target to confirm accuracy and repeat above procedure if required.

e) After initial firing, ensure that the mounts and sight are secure.

f) Turn the sight off by pushing the [-] button on the digital touch pad (1) for 1.5 seconds.

g) Put the lens covers on.

CHAPTER III

OPERATION UNDER EXTREME CONDITIONS

3.1 If special procedures are required

a) Extreme heat (humid or dry). No special procedures required.

b) Extreme cold. Extreme cold might shorten battery life. Keep spare batteries in your inner pockets to keep them warm.

c) Salt air. No special procedures required.

d) Sea spray, water, mud and snow. Ensure that battery cap and the two adjustment screw caps are tight before exposing the sight to sea spray, mud and snow. Hand tighten only. Keep lens covers closed when sight is not being used. Clean lenses with lens soft cloth and wipe the sight dry as soon as possible after exposure to water, sea spray, mud or snow.

e) Dust storms and sand storms. Keep lens caps closed when sight is not being used.

f) High altitudes. No special procedures required.

CAUTION: The lenses should never be cleaned with fingers – always use a soft lens cloth.

If no lens paper/cloth available:

- To clear away debris (sand, grass etc): blow away the dirt.
- To clean lenses: fog the lenses and dry them with a clean and soft piece of cloth.

CHAPTER IV

TROUBLESHOOTING PROCEDURES

4.1 Red dot does not appear

Discharged battery:

Replace battery

Battery installed incorrectly:

Remove and reinstall battery with [+] toward cap

Battery is not making good contact:

Clean contacts surfaces and reinstall battery.

4.2 Impossible to zero

Adjustment screw is at its limit:

Check alignment of mount to barrel

Impact point is moving:

Check mount stability

4.3 Dot does not appear to be round

This is most likely the result of how your eye perceives the dot. Unload and make your firearm safe. Turn your sight on and look through the sight. Slowly rotate the sight. If the aberration in the shape of the dot does not rotate along with the sight, it is how your eyes see the dot that is causing the irregularity. This effect can be minimized by turning the brightness of the dot up only enough to match the shooting conditions.

CHAPTER V

MAINTENANCE

5.1 Maintenance required

- a) This reflex sight does not require any particular maintenance while used under normal conditions.
- b) Under severe weather conditions please refer to chapter III.
- c) Keep lens covers closed whenever the sight is not in use.
- d) Warehouse storage: Remove battery and allow lens surfaces to dry completely (if wet) before closing the lens covers.
- e) To clean lenses refer to CAUTION in chapter III.
- f) In order not to void your warranty, do not attempt to disassemble your sight or service any internal components.

LES VISEURS AIMPOINT® HUNTER

CHAPITRE I

1.1 Présentation

Les viseurs réflex Aimpoint de la série Hunter sont des viseurs à point rouge sans effet de grossissement (X1) spécialement conçus pour une utilisation sur des carabines et fusils de chasse. Les viseurs Aimpoint de la série Hunter sont équipés d'une fonction d'intensité lumineuse contrôlée par processeur avec réglage digital numérique pour faire varier la luminosité du point rouge afin de l'adapter aux conditions de tir.

Les viseurs Aimpoint sont conçus pour une utilisation les deux yeux ouverts, ce qui permet un meilleur champ de vision et une plus grande vitesse d'acquisition de la cible. Grâce à notre conception sans parallaxe, le point rouge suit toujours les mouvements de l'œil en restant fixe sur la cible. Ce type de viseur autorise une distance oculaire illimitée.

Cette nouvelle série de viseurs Aimpoint utilise nos composants électroniques internes révolutionnaires ACETechnology™ qui combinent la précision et la vitesse supérieures de viseurs à une consommation d'énergie considérablement réduite de façon à optimiser la durée de vie de la pile.

1.2 Caractéristiques Techniques

Tous modèles

TECHNOLOGIE

Electronique

Technologie ACET
(Circuit Efficiency Technology)

Principe de fonctionnement

Viseur à collimateur Reflex
à point rouge,
aucun centrage requis

DONNEES OPTIQUES

LED (Diode électroluminescente)

Point rouge,
(longueur d'onde 650 nm)

Totalement inoffensif
pour les yeux

Taille du point

2 MOA*

Grossissement

Distance oculaire illimitée 1X

Traitement anti-reflets

Toutes les surfaces de lentille

Traitement multicouche

Lentille d'objectif

DONNEES ELECTRONIQUES

Pile	Une pile au lithium 3 V (CR2032)
Durée de vie de la pile	50 000 heures, sur le réglage 7
Réglage de l'intensité du point	Bouton digital numérique, 12 réglages (1 arrêt)

DONNEES MECANIQUES

Matériau du boîtier/tube	Aluminium haute résistance
Traitement de surface/ finition	Anodisé, semi-mat
Couleur boîtier	Noir
Couleur bouton digital	Vert foncé
Matériau bouton digital	Caoutchouc en silicone
Matériau protèges lentilles	Polymère – Noir
Réglage	1 clic=20 mm à 100 mètres, 1/2" à 80 yards
Méthode de montage	2 colliers, H30S/L=30 mm, H34S/L=34 mm

DONNEES ENVIRONNEMENTALES

Plage de température	-30° – +60° C / -20° – +140° F
Résistance à l'eau	Parfaitement étanche
Résistance chimique	Eviter le contact avec du carburant diesel et des nettoyants chimiques pour armes lors de l'utilisation du pavé tactile

DIMENSIONS

Voir fig 1, page I

	ØCollier	A	B	C	D	ØE	Poids
Modèle	mm / "	mm / "	mm / "	mm / "	mm / "	mm / "	g / oz
H30S	30 / 1.2	197 / 7.8	118 / 4.65	45 / 1.77	29.5 / 1.2	43 / 1.7	225 / 7.9
H30L	30 / 1.2	229 / 9.0	150 / 5.90	45 / 1.77	40.5 / 1.6	43 / 1.7	235 / 8.3
H34S	34 / 1.4	197 / 7.8	118 / 4.65	45 / 1.77	29.5 / 1.2	47 / 1.85	250 / 8.8
H34L	34 / 1.4	229 / 9.0	150 / 5.90	45 / 1.77	40.5 / 1.6	47 / 1.85	260 / 9.2

NUMEROS D'ARTICLES

H30S : 12690, H30L : 12691, H34S : 12692, H34L : 12693

*MOA (minute d'angle) 1 MOA ~ 30 mm à 100 mètres~ 1" à 100 yards

EMPLACEMENT ET DESCRIPTION DES PRINCIPAUX COMPOSANTS

Voir fig 2, page II

1. Bouton digital à intensité numérique
2. Couvercle de logement de la pile
3. Pile (type CR2032)
4. Cache des vis de réglage/Vis (vertical)
5. Cache des vis de réglage/Vis (horizontal)
6. Outil de réglage
7. Protecteur oculaire

CHAPITRE II

UTILISATION EN CONDITIONS NORMALES

Mettre le viseur sous tension en appuyant sur [+] ou [-] sur le bouton digital à réglage d'intensité (1) situé en haut du viseur. La luminosité du point démarre automatiquement à un niveau de 7 à 12. Mettre le viseur hors tension en maintenant le bouton [-] enfoncé pendant 1,5 seconde.

2.1 Assemblage et préparatifs

ATTENTION: Les armes à feu doivent être déchargées et sécurisées avant toute tentative d'installation, de désinstallation ou de maintenance sur le viseur!

2.1.1 Mise en place de la pile

a) Dévisser le couvercle de logement de la pile (2) dans le sens contraire des aiguilles d'une montre à l'aide de l'outil de réglage en plastique fourni avec le viseur.

REMARQUE: l'utilisation de pièces ou d'outils en métal pour retirer le couvercle de logement de la pile n'est pas recommandée.

b) Introduire la pile (3) en orientant le pôle positif [+] vers le couvercle (2).

ATTENTION: Lors du remplacement de la pile (3), contrôler la présence et l'état du joint torique. Faute de quoi, l'étanchéité du logement n'est pas optimale.

c) Monter le couvercle de logement de la pile (2) en alignant attentivement les fils du couvercle (2) sur ceux du boîtier, puis tourner le couvercle (2) dans le sens des aiguilles d'une montre jusqu'à ce qu'il soit bien fermé.

Serrer à la main en utilisant seulement l'outil de réglage (6) fourni avec votre viseur.

d) Vérifier que le point rouge est présent en appuyant sur les boutons (1) d'intensité [+] ou [-] sur le viseur.

2.1.2 Mise en place des colliers et du viseur sur l'arme

ATTENTION: Monter un dispositif optique trop près de l'oeil de l'utilisateur peut provoquer des blessures au niveau du visage ou des yeux du tireur pendant le recul. Ces blessures peuvent être graves. Si vous n'avez pas l'habitude de monter des dispositifs optiques sur les armes à feu, ou de choisir les pièces adéquates pour monter votre viseur, veuillez consulter votre revendeur, armurier ou autres sources qualifiées.

Les viseurs Aimpoint de la série Hunter sont conçus pour être montés sur la plupart des carabines et des fusils de chasse. Les modèles H30L et H34L sont conçus pour fournir suffisamment d'espace entre les montures avant et arrière pour une utilisation sur des carabines à actions longues et magnum.

Les modèles H30S et H34S sont conçus pour des carabines à action de longueur standard ainsi que pour de nombreux types de fusils de chasse.

REMARQUE: L'utilisation de viseurs de la série Hunter n'est pas recommandée sur des revolvers super magnum (S&W 500, S&W 460SVR, etc.) en raison des forces de recul extrêmes et du mouvement de cadre produit par ces armes à feu, les dispositifs optiques doivent être montés à l'aide de deux colliers de montage en acier résistant et d'une embase de montage solide d'un seul tenant conçue spécifiquement pour ces revolvers. Veuillez consulter votre revendeur ou un armurier qualifié pour plus d'informations.

Pour le montage, utilisez deux colliers de bonne qualité, ainsi que des embases de montage spécialement conçues pour votre arme à feu. Veiller à ce que le montage du viseur n'interfère pas avec le bon fonctionnement de votre arme à feu ni n'obstrue l'éjection des douilles vides.

a) Vérifier que les embases de montage sont parallèles et alignées, et qu'elles sont correctement fixées à l'arme à feu.

b) Montez les colliers sur le viseur de sorte à ce qu'ils soient correctement espacés pour aller avec les embases de montage.

REMARQUE: Veiller à ce que vos colliers et montures laissent suffisamment de jeu entre le bas de la partie avant du viseur et l'arme à feu. Lorsqu'il est correctement monté, le boîtier du viseur ne devrait pas être en contact avec l'arme à feu.

c) Monter le viseur sur l'arme à l'aide de colliers standard de 30 mm (pour le H30L ou le H30S) ou de 34 mm (pour le H34L ou le H34S).

d) L'utilisation de protège-lentilles est recommandée pour protéger les composants optiques de votre viseur pendant le stockage ou le transport. Lorsque vous installez votre viseur, vérifiez que les protège-lentilles peuvent être mis en place et retirés une fois le viseur monté sur l'arme.

e) Finalement, vérifiez que toutes les vis des deux colliers sont fermement serrées autour du viseur. L'utilisation d'un système d'étanchéisation des fils est recommandé.

REMARQUE: Trop serrer les vis des colliers peut provoquer des dommages à votre viseur.

g) Effectuer l'opération de zérotage (2.2.1).

2.2 Modes Opératoires

2.2.1 Zérotage

ATTENTION: L'ajustement et le zérotage doivent être réalisés dans un site surveillé ou une autre zone de tir sûre. Déchargez et sécurisez votre arme à feu avant de procéder au réglage de votre viseur ! Si vous ne maîtrisez pas bien l'utilisation des armes à feu ou la sécurité à distance, veuillez vous adresser à votre revendeur, armurier ou autre source qualifiée.

Les viseurs de la série Hunter sont expédiés de l'usine avec le point en position centrée. Cela signifie qu'ils ne nécessitent normalement que peu de réglages, à condition que les colliers ou les embases soient correctement alignés et que le matériel de montage soit correctement fixé.

ATTENTION: Interrompre le réglage des vis de réglage en élévation et en dérive au moindre signe de résistance d'un des éléments.

La vis de réglage en élévation (haut et bas) (4) se situe au sommet du viseur, tandis que la vis (5) de réglage en dérive (gauche et droite) est située sur le côté droit.

a) Mettez le viseur sous tension en enfonçant les boutons [+] ou [-] sur le pavé tactile numérique (1) jusqu'à ce que le point rouge ait une intensité suffisante pour contraster avec la cible. Pour la meilleure précision possible, ne réglez pas l'intensité du point sur un niveau plus élevé que nécessaire pour correspondre aux conditions d'éclairage dans lesquelles vous tirez.

REMARQUE: Lorsque vous mettez le viseur sous tension, la luminosité est automatiquement en position 7 sur 12.

b) Enlever les caches respectifs des vis de réglages en élévation et en dérive (4)/(5).

REMARQUE: Chaque clic de la vis de réglage correspond à un mouvement de 16 mm du point d'impact à 80 mètres, (20 mm à 100 mètres et 1/2" à 80 yds).

c) Pour tourner les vis de réglage (4)/(5), servez-vous de l'outil de réglage (6) fourni avec votre viseur ou des 2 têtons sur le dessus des caches (4)/(5):

- Pour déplacer le point d'impact vers la droite, tourner la vis (5) de réglage en dérive dans le sens contraire des aiguilles d'une montre.
- Pour déplacer le point d'impact vers la gauche, tourner la vis (5) de réglage en dérive dans le sens des aiguilles d'une montre.
- Pour déplacer le point d'impact vers le haut, tourner la vis (4) de réglage en élévation dans le sens contraire des aiguilles d'une montre.
- Pour déplacer le point d'impact vers le bas, tourner la vis (4) de réglage en élévation dans le sens des aiguilles d'une montre.

d) Valider le zérotage en effectuant au moins trois tirs sur une cible appropriée. Contrôler les points d'impact et reprendre la procédure ci-dessus si nécessaire.

e) Après le premier tir, vérifier que les montures et le viseur sont bien fixés.

f) Mettez le viseur hors tension en enfonçant le bouton [-] sur le pavé tactile numérique (1) pendant 1,5 seconde.

g) Mettez les protège-lentilles.

CHAPITRE III

UTILISATION EN CONDITIONS EXTRÊMES

3.1 Si les procédures spéciales sont nécessaires

a) Chaleur extrême (humide ou sèche). Aucune mesure particulière n'est à observer.

b) Froid extrême. un froid extrême raccourcit la durée de vie des piles. Gardez les piles de recharge dans vos poches intérieures pour les maintenir au chaud.

c) Air salin. Aucune mesure particulière n'est à observer.

d) Embruns, eau, boue et neige. s'assurer que le capuchon de logement de la pile et les caches des vis de réglage sont bien fermés avant d'exposer le viseur aux embruns, à la boue et à la neige. Serrer à la main seulement. Veiller à ce que les protège-lentilles restent fermés quand le viseur n'est pas utilisé. Nettoyer les lentilles avec un tissu prévu à cet effet et sécher le viseur au plus vite après que celui-ci ait été exposé à l'eau, aux embruns, à la boue ou à la neige.

e) Tempêtes de poussière et de sable : veiller à ce que les protège-lentilles restent fermés quand le viseur n'est pas utilisé.

f) Hautes altitudes : Aucune mesure particulière n'est à observer.

ATTENTION : Ne jamais nettoyer les lentilles avec les doigts, toujours utiliser un chiffon doux prévu à cet effet. A défaut de chiffon/papier spécial pour les lentilles :

- Pour retirer les débris (sable, herbe, etc.) : souffler dessus.
- Pour nettoyer les lentilles : embuer et sécher avec un chiffon doux et propre.

CHAPITRE IV

MÉTHODES DE RECHERCHE DE PANNE

4.1 Le point rouge n'apparaît pas

Pile déchargée :	Remplacer la pile
Pile installée incorrectement :	Enlever et remettre la pile avec le [+] vers le couvercle
Mauvais contact de la pile :	Nettoyer les surfaces de contact et remettre la pile.

4.2 Impossible de zéroter

La visse de réglage est en butée : Vérifier l'alignement du montage avec le canon de l'arme

Le point d'impact se déplace : Vérifier la stabilité du montage

4.3 Le point ne paraît pas rond

Cela vient très probablement de la façon dont votre œil perçoit le point. Déchargez et sécurisez votre arme à feu. Mettez le viseur sous tension et regardez dedans. Tournez lentement le viseur. Si l'aberration dans la forme du point ne tourne pas en même temps que le viseur, l'irrégularité provient de la façon dont votre œil perçoit le point. Cet effet peut être minimisé en augmentant la luminosité du point juste assez pour correspondre aux conditions de tir.

CHAPITRE V

MAINTENANCE

5.1 Entretien requis

- a) Ce viseur reflex ne requiert aucun entretien particulier en conditions normales d'utilisation.
- b) En cas d'utilisation en conditions extrêmes, se référer au chapitre III.
- c) Laisser les protège-lentilles fermés lorsque le viseur n'est pas utilisé.
- d) Entreposage : retirer la pile et laisser sécher les surfaces des lentilles (si elles sont mouillées) avant de refermer les protège-lentilles.
- e) Pour le nettoyage des lentilles, se reporter à la mise en garde du chapitre III.
- f) Pour ne pas rendre la garantie caduque, n'essayez pas de démonter le viseur ni de réparer un composant interne.

DIE AIMPOINT® HUNTER SERIE

KAPITEL I

1.1 Einführung

Die Visiere der Aimpoint Hunter Serie sind Leuchtpunktvisiere ohne Vergrößerung (1X), die speziell für Jagdgewehre und Flinten entwickelt wurden. Die Visiere der Jagdserie von Aimpoint verfügen über eine prozessorgesteuerte, über ein digitales Touchpad einstellbare Helligkeitsfunktion, mit der die Helligkeit des Leuchtpunkts an die Einsatzbedingungen angepasst werden kann.

Visiere von Aimpoint sind für das „Beide-Augen-offen“-Schießen ausgelegt, durch welches das momentane Situationsbewusstsein verbessert und die Zielerfassung beschleunigt wird. Durch die parallaxenfreie Bauweise folgt der Punkt immer dem Auge des Betrachters und bleibt gleichzeitig auf das Ziel gerichtet. Das Visier ist so konstruiert, dass der Augenabstand unerheblich ist.

Bei dieser neuen Visierserie von Aimpoint wurde unsere neue Innenelektronik ACETechnology™ verwendet, durch die die überlegene Präzision und Schnelligkeit von Aimpoint mit einem drastisch verringerten Stromverbrauch und maximaler Batterielebensdauer kombiniert wird.

1.2 Technische Einzelheiten

Alle Modelle

TECHNOLOGIE

Elektronik

ACET (Advanced Circuit Efficiency Technology)

Arbeitsprinzip

Reflex-Kollimator-Leuchtpunktvisier, kein Zentrieren erforderlich

OPTISCHE DATEN

LED (Light Emitting Diode)

Leuchtpunkt, (650 nm Wellenlänge), völlig ungefährlich für das Auge

Punktgröße

2 MOA*

Optische Vergrößerung

1X, beliebiger Augenabstand

Antireflexbeschichtung

Alle Linsenoberflächen

Multibelagbeschichtung

Objektivlinse

ELEKTRONISCHE DATEN

Batterie

Eine Lithiumbatterie 3V (CR2032)

Batterielebensdauer

50.000 Stunden, Stufe 7

Einstellung der Leuchtpunkthelligkeit

Digitales Touchpad, 12 Stufen (1 Aus)

MECHANISCHE DATEN

Material Gehäuse/Rohr	Hochfestes Aluminium
Behandlung/Finish Oberflächen	Eloxiert, halbmatt
Farbe Gehäuse	Schwarz
Farbe Touchpad	Dunkelgrün
Material Touchpad	Silikonkautschuk
Material Staubschutzkappen	Polymer – Schwarz
Einstellung	1 Klick=20mm auf 100 Meter, 1/2" auf 80 Yard
Einbaumethode	2 Ringe, H30S/L=30 mm, H34S/L=34 mm

UMWELTDATEN

Temperaturbereich	-30°– +60° C
Wasserfestigkeit	Voll wasserdicht
Widerstandsfähigkeit Chemikalien	Bei der Verwendung des Touchpads Kontakt mit Dieselmotoren und chemischen Waffenreinigungsmitteln vermeiden.

MASSE

Siehe Fig 1, Seite I

	ØRing	A	B	C	D	ØE	Gewicht
Modell	mm	mm	mm	mm	mm	mm	g
H30S	30	197	118	45	29,5	43	225
H30L	30	229	150	45	40,5	43	235
H34S	34	197	118	45	29,5	47	250
H34L	34	229	150	45	40,5	47	260

ARTIKELNUMMERN

H30S: 12690, H30L: 12691, H34S: 12692, H34L: 12693

*MOA (Winkelminute) 1 MOA ~ 30 mm auf 100 Meter

POSITION UND BESCHREIBUNG DER WICHTIGSTEN BAUTEILE

Siehe Fig 2, Seite II

1. Digitales Touchpad (Helligkeit)
2. Batteriedeckel
3. Batterie (Typ CR2032)
4. Höhenverstelldeckel/-schraube (senkrecht)
5. Seitenverstelldeckel/-schraube (waagrecht)
6. Einstellwerkzeug
7. Augenschutz

KAPITEL II

BETRIEB UNTER NORMALBEDINGUNGEN

Visier einschalten. Hierzu die Tasten [+] oder [-] auf dem oben am Visier befindlichen Touchpad zur Helligkeitseinstellung (1) drücken. Die Helligkeit des Punkts ist beim Start auf den automatischen Wert 7 von 12 eingestellt. Zum Ausschalten des Visiers [-]-Taste 1,5 Sekunden lang gedrückt halten.

2.1 Zusammenbau und Arbeitsvorbereitung

ACHTUNG: Schusswaffen müssen vor allen Versuchen des An- oder Abbaus bzw. der Wartung des Visiers vollständig entladen und gesichert sein!

2.1.1 Einlegen der Batterie

a) Batteriedeckel (2) entfernen. Hierzu den Deckel mit dem Kunststoffwerkzeug (im Lieferumfang des Visiers enthalten) gegen den Uhrzeigersinn drehen.

HINWEIS: Zum Lösen des Batteriedeckels sollten keine Münzen oder Metallwerkzeuge verwendet werden.

b) Batterie (3) mit dem Pluspol [+] zum Deckel (2) gerichtet einlegen.

ACHTUNG: Beim Wechseln der Batterie (3) darauf achten, dass der Gummi-Dichtungsring eingesetzt und unbeschädigt ist. Bei Fehlen des Dichtungsringes kann Wasser in das Batteriefach eindringen.

c) Batteriedeckel (2) einsetzen. Hierzu das Gewinde des Batteriedeckels (2) vorsichtig gegen das Gewinde des Visierkörpers ausrichten und Batteriedeckel (2) anschließend im Uhrzeigersinn drehen, bis er fest sitzt. Mit der Hand anziehen. Hierbei nur das mit dem Visier mitgelieferte Werkzeug (6) verwenden.

d) Kontrollieren, ob der rote Leuchtpunkt erscheint. Hierzu die Helligkeitstasten (1) [+] oder [-] am Visier betätigen.

2.1.2 Ringe und Visier an der Waffe anbauen

ACHTUNG: Der Anbau eines optischen Geräts zu dicht am Auge des Benutzers kann durch den Rückstoß zu Einwirkungen auf Gesicht und Augen des Schützen führen und dadurch schwere Verletzungen verursachen. Falls Sie nicht mit dem Anbau optischer Geräte an Schusswaffen oder dem richtigen Anbaupunkt für Ihr Visier vertraut sind, wenden Sie sich an den Händler, Waffenhersteller oder eine andere qualifizierte Stelle.

Die Visiere der Jagdserie von Aimpoint eignen sich für die Montage an den meisten Jagdgewehr- und Flintentypen. Die Modelle H30L und H34L wurden so entwickelt, dass ausreichend Platz zwischen der vorderen und hinteren Haltevorrichtung besteht, so dass diese an Gewehren mit Lang- und Magnum-Systemen verwendet werden können. Die Modelle H30S und H34S wurden für Gewehre mit Standardsystem und viele Arten von Flinten entwickelt.

HINWEIS: Die Verwendung von Visieren der Jagdserie wird nicht empfohlen für Super Magnum Revolver wie S&W 500, S&W 460SVR u.a.. Da bei diesen Waffen extreme Rückschlagkräfte und Rahmenbewegungen auftreten, müssen optische Geräte mit zwei Hochleistungs-Stahlringen und einer robusten, einteiligen, besonders für diese Revolver entwickelten Montageschiene angebaut werden. Nähere Informationen erhalten Sie im Fachhandel oder bei einem qualifizierten Waffenhersteller.

Verwenden Sie für den Anbau zwei hochwertige, für die Verwendung an Ihrer Schusswaffe geeignete Zielfernrohrringe (ZF-Ringe) und Montageschienen. Dabei ist darauf zu achten, dass der Anbau des Visiers nicht die sichere Verwendung Ihrer Schusswaffe beeinträchtigt oder den Hülsenauswurf behindert.

- a) Stellen Sie sicher, dass die Montageschienen parallel ausgerichtet und fest an der Schusswaffe befestigt sind.
- b) Bringen Sie die Ringe so am Visier an, dass der Abstand korrekt auf die Montageschienen abgestimmt ist.

HINWEIS: Stellen Sie sicher, dass bei Ihren Ringen und Haltevorrichtungen ein ausreichender Abstand zwischen dem Boden des Visiervorderteils und der Schusswaffe besteht. Bei richtigem Anbau darf der Visierkörper die Schusswaffe nicht berühren.

- c) Visier an der Waffe befestigen. Hierzu als Standardringe 30 mm (für H30L oder H30S) bzw. 34 mm (für H34L oder H34S) verwenden.
- d) Die Verwendung von Staubschutzkappen wird empfohlen, um bei Lagerung und Transport die optischen Bauteile Ihres Visiers zu schützen. Bei der Montage Ihres Visiers ist sicherzustellen, dass sich die Staubschutzkappen nach Anbau des Visiers an der Waffe ansetzen und abnehmen lassen.
- e) Stellen Sie abschließend sicher, dass die Schrauben der beiden Ringe fest um das Visier angezogen sind. Die Verwendung eines Gewindedichtmittels wird empfohlen.

HINWEIS: Bei Überspannung der Ringschrauben kann das Visier beschädigt werden.

- g) Den Zentriervorgang abschließen (2.2.1).

2.2 Bedienung

2.2.1 Zentrieren

ACHTUNG: Das Anvisieren und Zentrieren/Einschießen sollte an einem beaufsichtigten Schießstand oder in einem anderen sicheren Schießbereich erfolgen. Vor allen Einstellungen an Ihrem Visier muss die Waffe entladen und gesichert werden! Falls Sie mit der Bedienung der Waffe oder den Sicherheitseinrichtungen am Schießplatz nicht vertraut sind, wenden Sie sich an den Händler, Waffenhersteller oder eine andere qualifizierte Stelle.

Jagdvisiere werden werksseitig mit dem Leuchtpunkt in Mittelposition geliefert. Dies bedeutet, dass normalerweise nur kleine Korrekturen erforderlich sind, vorausgesetzt Ringe und Schienen sind korrekt ausgerichtet und die Anbauten sicher befestigt.

ACHTUNG: Die Stellschrauben für die Seiten- bzw. Höheneinstellung nicht weiter bewegen, sofern Widerstand zu spüren ist.

Die Stellschraube für die Höheneinstellung (auf und ab) (4) befindet sich oben am Visier, die Schraube für die Seiteneinstellung (links und rechts) (5) rechts am Visier.

a) Visier einschalten. Hierzu die Tasten [+] oder [-] am digitalen Touchpad (1) betätigen, bis der Leuchtpunkt eine zur Zielerkennung ausreichende Helligkeit aufweist. Die größte Präzision wird erzielt, wenn der Leuchtpunkt nur gerade so hell ist, dass er auf die Lichtbedingungen im Schussbereich abgestimmt ist.

HINWEIS: Beim Einschalten des Visiers ist die Helligkeit automatisch auf die Stufe 7 von 12 eingestellt.

b) Schutzkappen der Stellschrauben zur Seiten- bzw. Höheneinstellung entfernen (4)/(5).

HINWEIS: Jeder Klick der Stellschraube entspricht einer 16-mm-Verschiebung des Auftreffpunkts auf 80 Meter (20 mm auf 100 Meter).

c) Zum Drehen der Stellschrauben (4)/(5) das im Lieferumfang des Visiers enthaltene Einstellwerkzeug (6) oder die Nasen oben auf den Schutzkappen (4)/(5) verwenden:

- Für eine Rechtsverschiebung des Auftreffpunkts die Stellschraube zur Seiteneinstellung (5) gegen den Uhrzeigersinn drehen.
- Für eine Linksverschiebung des Auftreffpunkts die Stellschraube zur Seiteneinstellung (5) im Uhrzeigersinn drehen.
- Für eine Aufwärtsverschiebung des Auftreffpunkts die Stellschraube zur Höheneinstellung (4) gegen den Uhrzeigersinn drehen.
- Für eine Abwärtsverschiebung des Auftreffpunkts die Stellschraube zur Höheneinstellung (4) im Uhrzeigersinn drehen.

d) Das Zentrieren durch mindestens drei Schüsse auf ein Einschießziel überprüfen. Die Treffpunkte am Einschießziel überprüfen, um die Präzision der Waffe sicherzustellen. Falls erforderlich, den obigen Vorgang wiederholen.

e) Nach dem ersten Schuss überprüfen, ob Haltevorrichtungen und Visier sicher angebracht sind.

f) Visier ausschalten. Hierzu die [-]-Taste auf dem digitalen Touchpad (1) 1,5 Sekunden lang gedrückt halten.

g) Staubschutzkappen aufsetzen.

KAPITEL III

BENUTZUNG UNTER EXTREMEN BEDINGUNGEN

3.1 Wenn spezielle Verfahren erforderlich sind

a) Extreme Hitze (feucht oder trocken). Keine besonderen Vorkehrungen erforderlich.

b) Extreme Kälte. Extreme Kälte kann die Batterielebensdauer verkürzen. Bewahren Sie Ersatzbatterien in der Innentasche auf, um diese warm zu halten.

c) Salzhaltige Luft. Keine besonderen Vorkehrungen erforderlich.

d) Gischt, Wasser, Schlamm und Schnee. Überprüfen Sie den korrekten Sitz von Batteriedeckel und Schutzkappen der beiden Stellschrauben, bevor Sie das Visiers Gischt, Schlamm und Schnee aussetzen.

Nur mit der Hand anziehen. Bei Nichtbenutzung des Visiers die Staubschutzkappen geschlossen halten.

Zur Linsenreinigung ein weiches Tuch verwenden und Visier nach Kontakt mit Wasser, Gischt, Schlamm oder Schnee so schnell wie möglich trocken reiben.

e) Staubwirbel und Sandstürme. Bei Nichtbenutzung des Visiers die Staubschutzkappen geschlossen halten.

f) Große Höhen. Keine besonderen Vorkehrungen erforderlich.

Falls kein Objektivpapier/Tuch zur Hand ist:

ACHTUNG: Die Linsen keinesfalls mit den Fingern säubern – immer ein weiches Reinigungstuch verwenden.

Falls kein Objektivpapier/Tuch zur Hand ist:

- Entfernen von losem Schmutz (Sand, Gras etc.): Fremdkörper fort blasen.
- Säubern der Linsen: Linsen anhauchen und mit einem sauberen, weichen Reinigungstuch abwischen.

KAPITEL IV

FEHLERSUCHE

4.1 Roter Leuchtpunkt erscheint nicht

Batterie leer:

Batterie wechseln

Batterie falsch eingesetzt:

Batterie entnehmen und mit dem

Pluspol [+] zum

Deckel wieder einsetzen

Schlechter Batteriekontakt:

Kontaktflächen reinigen und Batterie wieder einsetzen.

4.2 Zentrieren nicht möglich

Einstellschraube am Anschlag: Ausrichtung der Haltevorrichtung überprüfen
Treffpunkt ändert sich: Befestigung überprüfen

4.3 Roter Leuchtpunkt wirkt nicht rund

Dies ist sehr wahrscheinlich auf den optischen Eindruck des Leuchtpunkts auf Ihre Augen zurückzuführen. Schusswaffe entladen und sichern. Visier einschalten und durch das Visier schauen. Visier langsam drehen. Falls die Verformung des Punktumrisses sich nicht zusammen mit dem Visier bewegt, handelt es sich um einen Eindruck, der im Auge entsteht. Dieser Effekt lässt sich minimieren, indem der Leuchtpunkt nicht heller eingestellt wird als für die Schießbedingungen erforderlich ist.

KAPITEL V

WARTUNG

5.1 Wartung erforderlich

- a) Unter normalen Benutzungsbedingungen erfordert dieses Reflexvisier keine besondere Wartung.
- b) Bei extremen Witterungsverhältnissen siehe Kapitel III.
- c) Bei Nichtbenutzung des Visiers die Staubschutzkappen stets verschlossen halten.
- d) Lagerung im Geschäft: Batterie entfernen. Vor dem Schließen der Staubschutzkappen die Linsenoberflächen vollständig trocknen lassen (wenn nass).
- e) Zum Säubern der Linsen die Anweisungen unter WICHTIG in Kapitel III beachten.
- f) Damit die Gültigkeit der Garantie nicht erlischt, unternehmen Sie keine Versuche, das Visier zu demontieren oder Wartungsarbeiten an dessen inneren Bauteile durchzuführen.

MIRAS AIMPOINT® HUNTER

CAPÍTULO I

1.1 Presentación

Las miras de la serie Aimpoint Hunter son miras de punto rojo sin aumento (1X) diseñadas especialmente para rifles de caza y escopetas. Las miras de la gama Aimpoint Hunter disponen de un procesador que controla la intensidad del brillo con un sensor digital para ajustar el brillo del punto rojo en función de las condiciones en la que esté disparando.

Las miras de Aimpoint están diseñadas para el método de visión “dos ojos abiertos”, lo que mejora en gran medida el sentido espacial y la velocidad de alcance del objetivo. Gracias al diseño sin paralaje, el punto sigue el movimiento del ojo del usuario mientras mantiene fijo el objetivo. El diseño de la mira permite una distancia focal ilimitada.

Esta nueva gama de miras Aimpoint utiliza nuestra electrónica interior ACET™ más avanzada que combina la precisión y la velocidad superior de las miras con consumo menor de energía para aumentar la duración de la batería.

1.2 Especificaciones

Todos los modelos

TECNOLOGÍA

Electrónica

ACET (Avanzada Tecnología eficiente de circuito avanzado)

Principio operativo

Miras de punto rojo con colimador reflex, No precisa centrado

ESPECIFICACIONES ÓPTICAS

LED (Diodo emisor de luz)

Punto rojo, (longitud de onda de 650 nm) completamente inofensivo para el ojo 2 MOA*

Tamaño del punto

Ampliación óptica

1X, distancia focal ilimitada

Revestimiento anti-reflex

Todas las superficies de las lentes

Revestimiento multicapa

Lentes del objetivo

ESPECIFICACIONES ELECTRÓNICAS

Pila

Una pila de litio de 3 V (CR2032)

Vida útil de la pila

50.000 horas en posición 7

Ajuste de la intensidad del punto

Teclado táctil digital, 12 posiciones (1 apagado)

ESPECIFICACIONES MECÁNICAS

Material de la carcasa y los tubos	Aluminio de alta resistencia
Tratamiento/acabado de la superficie	Anodizado, semimate
Color de la carcasa	Negro
Color del teclado táctil	Verde oscuro
Material del teclado táctil	Goma de silicona
Material de las tapas de los objetivos	Polímero – Negro
Ajuste	1 clic = 20 mm a 100 metros, 1/2" a 80 yardas
Monturas	2 anillos, H30S/L = 30 mm, H34S/L = 34 mm

ESPECIFICACIONES MEDIOAMBIENTALES

Temperatura	-30° – +60° C / -20° – +140° F
Resistente a la lluvia	Totalmente impermeable
Resistencia a productos químicos	Evitar el contacto con combustible diesel y productos químicos de limpieza de armas cuando se opera con el teclado táctil

DIMENSIONES

Véase fig 1, página I

Modelo	ØAnillo mm / "	A mm / "	B mm / "	C mm / "	D mm / "	ØE mm / "	Peso g / oz
H30S	30 / 1.2	197 / 7.8	118 / 4.65	45 / 1.77	29.5 / 1.2	43 / 1.7	225 / 7.9
H30L	30 / 1.2	229 / 9.0	150 / 5.90	45 / 1.77	40.5 / 1.6	43 / 1.7	235 / 8.3
H34S	34 / 1.4	197 / 7.8	118 / 4.65	45 / 1.77	29.5 / 1.2	47 / 1.85	250 / 8.8
H34L	34 / 1.4	229 / 9.0	150 / 5.90	45 / 1.77	40.5 / 1.6	47 / 1.85	260 / 9.2

NÚMEROS DE ARTÍCULOS

H30S: 12690, H30L: 12691, H34S: 12692, H34L: 12693

*MOA (minuto de ángulo) 1 MOA ~ 30 mm a 100 metros ~ 1" a 100 yardas

UBICACIÓN Y DESCRIPCIÓN DE LOS COMPONENTES PRINCIPALES

Véase fig 1, página II

1. Teclado táctil para variar la intensidad digital
2. Tapa de la batería
3. Batería (modelo CR2032)
4. Tapa y tornillo de ajuste (vertical)
5. Tapa y tornillo de ajuste (horizontal)
6. Herramienta de ajuste
7. Protección ocular

CAPÍTULO II

FUNCIONAMIENTO EN CONDICIONES NORMALES

Encienda la mira pulsando [+] o [-] en el teclado táctil de ajuste (1) ubicado en la parte superior de la mira. El brillo del punto se inicia automáticamente en el nivel de intensidad 7 de 12. Apague la mira pulsando el botón [-] durante 1,5 segundos.

2.1 Montaje y preparativos para el uso

ATENCIÓN: Las armas de fuego deben estar descargadas y en seguro antes de intentar instalar, eliminar o realizar el mantenimiento de la mira.

2.1.1 Instalación de la pila

a) Retire la tapa de la pila (2) girándola hacia la derecha utilizando la herramienta de ajuste de plástico incluida con la mira.

NOTA: El uso de monedas o herramientas de metal para quitar la tapa de la batería no es recomendable.

b) Inserte la pila (3) con el borne positivo [+] hacia la tapa (2).

PRECAUCIÓN: Al sustituir la pila (3), asegúrese de que la junta tórica de goma no esté dañada. El no hacerlo puede facilitar la entrada de humedad en el compartimento de la batería.

c) Instale la tapa de la batería (2) alineando cuidadosamente los cables en la tapa de la pila (2) con los del cuerpo de la mira, a continuación, gire la tapa de la pila (2) en sentido horario hasta que esté ajustada. Apriete manualmente con la herramienta de ajuste (6) incluida con la mira.

d) Compruebe que se enciende el punto rojo pulsando los botones de intensidad [+] o [-] que hay encima de la mira (1).

2.1.2 Colocación de las anillas y la mira en el arma

ATENCIÓN: La instalación de cualquier óptica muy cerca del ojo puede hacer que el dispositivo impacte en la cara del tirador o en sus ojos durante el retroceso, con la posibilidad de causar lesiones graves. Si no está familiarizado con el montaje de dispositivos ópticos en armas de fuego, o en la elección de las piezas adecuadas para montar la mira, consulte con su distribuidor o armero cualificado.

Las miras de la gama Aimpoint Hunter están diseñadas para su instalación en la mayoría de los tipos de rifles de caza y escopetas. Los modelos H30L y H34L están diseñados para proporcionar suficiente espacio entre la parte delantera y trasera para el uso en rifles de acción Magnum. Los modelos H30S y H34S están diseñados para rifles de longitud estándar y muchos tipos de escopetas.

NOTA: El uso de miras de la gama Hunter no se recomienda en revólveres magnum super (S&W 500, S&W 460SVR etc) debido a las grandes fuerzas de retroceso y el movimiento del armazón que se produce en estas armas de fuego, la óptica debe montarse con dos anillas de acero y una base de montaje sólida diseñada específicamente para el uso con estos revólveres. Consulte a su distribuidor o armero cualificado para obtener más información.

Para el montaje, use dos anillas de buena calidad y bases de montaje diseñadas específicamente para su arma de fuego. Asegúrese de que la instalación de la mira no interfiere con el funcionamiento seguro del arma ni impide la expulsión de casquillos o vainas.

a) Asegúrese de que las bases de la montura están paralelas y alineadas, y que están bien fijadas al arma de fuego.

b) Monte las anillas de la mira de modo que estén debidamente espaciadas para que coincidan con las bases de la montura.

NOTA: Asegúrese de que las anillas y las bases dejan espacio suficiente entre la parte inferior de la parte delantera de la mira y el arma. Cuando está bien montado, el cuerpo de la mira no debe estar en contacto con el arma.

c) Monte la mira en el arma con anillas estándar de 30 mm (para H30L o H30S) o de 34 mm (para H34L o H34S).

d) Se recomienda usar tapas para proteger los componentes ópticos de la mira durante el almacenamiento o el transporte. Al instalar la mira, asegúrese de que las tapas de las lentes pueden ponerse y quitarse cuando la mira está montada en el arma.

e) Por último, asegúrese de que todos los tornillos de las dos anillas están firmemente apretados alrededor de la mira. Se recomienda el uso de un sellante.

NOTA: Apretar más de lo necesario las anillas puede dañar la mira.

g) Complete la puesta a cero (2.2.1).

2.2 Procedimientos Para La Operación

2.2.1 Puesta a cero

ATENCIÓN: La puesta a cero y la puesta a punto de la mira se deben hacer en una zona de tiro. Descargue y ponga en seguro el arma antes de ajustar la mira. Si no está familiarizado con el uso de armas de fuego o la seguridad de la zona, consulte con su distribuidor o armero cualificado.

Las miras Hunter se envían desde fábrica con el punto en una posición centrada. Normalmente, esto significa que sólo se necesitan pequeños ajustes, siempre que las anillas y las bases están bien alineadas y los accesorios de montaje ajustados adecuadamente.

PRECAUCIÓN: No siga ajustando los tornillos de deriva y elevación si encuentra resistencia.

El tornillo de ajuste de elevación (arriba y abajo) (4) se encuentra en la parte superior de la mira y el tornillo de deriva (izquierda y derecha) (5) se encuentra en el lado derecho.

a) Gire la mira pulsando los botones [+] o [-] en el teclado táctil digital (1) hasta que el punto rojo tenga una intensidad suficiente para contrastar contra el objetivo. Para obtener más precisión, no utilice más brillo del necesario para que corresponda con las condiciones de luz donde se está disparando.

NOTA: Al encender la mira, el brillo se ajusta automáticamente en la posición 7 de 12.

b) Retire las tapas de los tornillos de dispersión y elevación (4)/(5).

NOTA: Cada clic en el tornillo de ajuste corresponde a un desplazamiento de 16 mm del punto de impacto a 80 metros, (20 mm a 100 metros y 1/2" a 80 yardas).

c) para girar los tornillos de ajuste (4)/(5), utilice la herramienta de ajuste (6) incluida con la mira o los salientes de la parte superior de las tapas (4)/(5):

- Para mover el punto de impacto hacia la derecha, gire el tornillo de ajuste de deriva en sentido antihorario (5).
- Para mover el punto de impacto hacia la izquierda, gire el tornillo de ajuste de deriva en sentido horario (5).
- Para mover el punto de impacto hacia arriba, gire el tornillo de ajuste de la elevación (4) en sentido horario.
- Para mover el punto de impacto hacia abajo, gire el tornillo de ajuste de la elevación (4) en sentido antihorario.

d) Confirme la puesta a punto disparando por lo menos tres veces a un blanco de puesta a cero. Controle los puntos de impacto en el blanco de puesta a cero para confirmar la precisión y repita el procedimiento mencionado arriba si es necesario.

e) Después de los disparos iniciales, compruebe que el soporte y la mira están seguros.

f) Apague la mira pulsando el botón [-] en el teclado táctil digital (1) durante 1,5 segundos.

g) Ponga las tapas a las lentes.

CAPÍTULO III

OPERACIÓN EN CONDICIONES EXTREMAS

3.1 Procedimientos especiales

- a) Calor intenso (húmedo o seco). No se requieren procedimientos especiales.
- b) Frío intenso. El frío intenso puede acortar la duración de la pila. Guarde las pilas de repuesto en los bolsillos internos de la ropa para mantenerlas calientes.
- c) Brisa salina. No se requieren procedimientos especiales.
- d) Humedad salina, agua, barro y nieve. asegúrese de que la tapa de la batería y las dos tapas de los tornillos de ajuste están apretadas antes de exponer la mira a la humedad salina, agua, barro y nieve. Apriete los tornillos manualmente. Mantenga cerradas las tapas del objetivo cuando no utilice la mira. Limpie los objetivos con papel/paño especial y limpie la mira con un paño seco lo más rápido posible después de exponerla a la humedad salina, agua, barro y nieve.
- e) Tormentas de polvo y arena. Mantenga cerradas las tapas del objetivo cuando no utilice la mira.
- f) Grandes alturas. No se requieren procedimientos especiales.

PRECAUCIÓN: Nunca limpie los objetivos con los dedos, siempre utilice paño especial.

Si no dispone de papel/paño especial:

- Para eliminar residuos (arena, hierba, etc.): sople los residuos.
- Para limpiar los objetivos: empañe los objetivos y séquelos con un paño suave y limpio.

CAPÍTULO IV

PROCEDIMIENTOS DE LOCALIZACIÓN DE FALLOS

4.1 El punto rojo no aparece

Pila descargada:

cambie la pila

Pila mal colocada:

saque y vuelva a colocar la pila

La pila no hace contacto correctamente:

limpie las superficies de la pila y vuelva a colocarla.

4.2 Es imposible la puesta a cero

El tornillo de ajuste está en su límite:

controle la alineación del soporte y el cañón

El punto de impacto se mueve:

compruebe la estabilidad del soporte

4.3 El punto no parece ser redondo

Esto es más probable que se deba a cómo el ojo percibe el punto. Descargue y coloque el arma en seguro. Gire la mira y mire a través de ella. Gire lentamente la mira. Si la aberración en la forma del punto no gira junto con la mira, es la manera en que los ojos ven el punto lo que está causando la irregularidad. Este efecto puede minimizarse aumentando el brillo del punto lo suficiente para cubrir las condiciones de disparo.

CAPÍTULO V

MANTENIMIENTO

5.1 Mantenimiento

- a) Esta mira reflex no requiere ningún mantenimiento especial siempre y cuando se utilice en condiciones normales.
- b) Si la mira va a utilizarse en condiciones atmosféricas extremas, consulte el capítulo III.
- c) Mantenga cerradas las tapas del objetivo cuando no utilice la mira.
- d) Almacenamiento: saque la pila y deje que las superficies de los objetivos se sequen completamente (si están húmedas) antes de colocarles las tapas.
- e) Para limpiar los objetivos, consulte "PRECAUCIÓN" en el capítulo III.
- f) A fin de no invalidar la garantía, no trate de desarmar la mira ni manipule los componentes internos.

AIMPOINT® HUNTER SIKTEN

KAPITEL I

1.1 Presentation

Aimpoint sikten i Hunter-serien är icke-förstorande (1X) rödpunktsikten särskilt avsedda för användning med jaktgevär och hagelgevär. Aimpoint sikten i Hunter-serien är försedda med en processorstyrd ljusstyrkefunktion med digitala tryckknappar för justering av den röda punktens ljusstyrka utifrån förhållandena på skjutplatsen.

Aimpoint sikten ska användas med båda ögonen öppna, en princip som markant förbättrar situationsuppfattningen och gör att skytten snabbare får målet i sikte. På grund av den parallaxfria konstruktionen följer punkten ögats rörelse samtidigt som den förblir fixerad på målet. Siktet är konstruerat för att medge obegränsat ögonavstånd.

Den nya serien med sikten från Aimpoint använder den allra senaste diod-tekniken, ACET™ (Advanced Circuit Efficiency Technology). ACET kombinerar siktets överlägsna träffsäkerhet och snabbhet med en betydligt lägre strömförbrukning som förlänger batteritiden.

1.2 Specifikationer

Alla modeller

TEKNOLOGI

Elektronik

ACET (Advanced Circuit Efficiency Technology)

Funktionsprincip

Kollimatorreflexsikte med rödpunkt, ingen centrering behövs

OPTISKA DATA

LED (Light Emitting Diode – lysdiod)

Rödpunkt, (våglängd 650 nm)
ofarligt för ögat

Punktstorlek

2 MOA*

Optisk förstoring

1X, obegränsat ögonavstånd

Anti-reflexbeläggning

Alla linsytor

Bandpassbeläggning

Objektivlins

ELEKTRONISKA DATA

Batteri

Ett 3V litiumbatteri, typ CR2032

Batteritid

50 000 timmar på inställning 7

Justering av punktens ljusstyrka

Digitala tryckknappar,
12 inställningar (1 av)

MEKANISKA DATA

Material – hus/rör	Höghållfast aluminium
Ytbehandling/finish	Anodiserad, semimatt
Färg – hus	Svart
Färg – tryckknappar	Mörkgrön
Material – tryckknappar	Silikongummi
Material – linsskydd	Polymer – svart
Justering	1 klick = 20 mm på 100 meter,
Fäste	2 ringar, H30S/L =30 mm, H34S/L =34 mm

MILJÖDATA

Temperaturintervall	-30° – +60° C
Vattenbeständighet	Helt vattentät
Beständighet mot kemikalier	För längre hållbarhet av tryckknapparna bör kontakt med dieselbränsle och kemiska vapenrengöringsmedel undvikas.

MÅTT

Se fig 1, sid 1

	ØRing	A	B	C	D	ØE	Vikt
Modell	mm	mm	mm	mm	mm	mm	g
H30S	30	197	118	45	29,5	43	225
H30L	30	229	150	45	40,5	43	235
H34S	34	197	118	45	29,5	47	250
H34L	34	229	150	45	40,5	47	260

ARTIKELNUMMER

H30S: 12690, H30L: 12691, H34S: 12692, H34L: 12693

*MOA (minutvinkel) 1 MOA ~ 30 mm på 100 meter

BESKRIVNING AV HUVUDKOMPONENTERNAS PLACERING

Se fig 2, sid II

1. Digitala tryckknappar för ljusstyrka
2. Batterilock
3. Batteri (typ CR2032)
4. Justerskruv/hatt (lodrät)
5. Justerskruv/hatt (vågrät)
6. Justeringsverktyg
7. Ögonmussla

KAPITEL II

ANVÄNDNING UNDER NORMALA FÖRHÅLLANDEN

Starta siktet genom att trycka på [+] eller [-] på tryckknapparna för justering av ljusstyrkan (1) ovanpå siktet. Punktens ljusstyrka börjar automatiskt på nivå 7 av 12. Stäng av siktet genom att hålla ned knappen [-] i 1,5 sekunder.

2.1 Montering och förberedelser

WARNING! Skjutvapen måste tömmas på ammunition och säkras innan montering, borttagning eller underhåll av siktet utförs!

2.1.1 Montering av batteriet

a) Ta bort batterilocket (2) genom att vrida det moturs med hjälp av plastjusteringsverktyget som medföljde siktet.

OBS! Mynt eller metallverktyg bör inte användas för att ta bort batterilocket.

b) Sätt in batteriet (3) med pluspolen [+] mot locket (2).

NOTERA: Vid batteribyte (3) kontrolleras att O-ringen av gummi sitter på plats och är oskadad. I annat fall kan vatten komma in i batteriutrymmet.

c) Sätt tillbaka batterilocket (2) genom att noga passa in gängorna på batterilocket (2) med gängorna i siktet och sedan vrida batterilocket (2) medurs tills det sitter ordentligt. Dra endast åt för hand med hjälp av justeringsverktyget (6) som medföljde siktet.

d) Kontrollera att den röda punkten lyser genom att trycka på [+] eller [-] på siktets tryckknappar (1).

2.1.2 Montering av ringar och sikten på vapnet

WARNING! Om en optisk enhet monteras för nära användarens öga kan det leda till att enheten träffar skytten i ansiktet eller ögat under rekylen och kan orsaka allvarliga skador. Om du inte är van vid att montera optik på skjutvapen eller inte vet vilka delar som är lämpliga för montering av siktet, bör du kontakta återförsäljaren, en vapensmed eller annan behörig källa.

Aimpoints sikten i Hunter-serien är konstruerade för att monteras på de flesta typer av jaktgevär och hagelgevär. H30L och H34L är konstruerade för att ge tillräckligt med utrymme mellan den främre och bakre klacken för användning med lång låda eller Magnumlåda. H30S och H34S är konstruerade för gevär med standardlåda och många typer av hagelgevär.

OBS! Siktena i Hunter-serien bör inte användas på Super Magnum-revolverar (S&W 500, S&W 460SVR osv.) På grund av den extrema rekylen och rörelsen hos dessa skjutvapen måste optiken monteras med två monteringar av stål och en solid klack som är särskilt avsedd för dessa revolverar. Kontakta en återförsäljare eller behörig vapensmed för mer information.

Vid montering används två monteringer av hög kvalitet och klackar särskilt avsedda för ditt skjutvapen. Var noga med att monteringen av siktet inte försämrar säkerheten vid användning av skjutvapnet eller blockerar utkastning av tomhylsor.

a) Kontrollera att klackarna är parallella och upplinjerade med pipan, samt är ordentligt fästa i skjutvapnet.

b) Montera ringarna på siktet anpassat efter klackarna.

OBS! Kontrollera att ringarna och klackarna sitter så att ingen del av siktet ligger an mot vapnet. När siktet är korrekt monterat ska det inte vidröra skjutvapnet.

c) Montera siktet på vapnet med hjälp av 30 mm- (för H30L och H30S) eller 34 mm-standardringar (för H34L och H34S).

d) Linsskydd rekommenderas för skydd av siktets optiska delar under förvaring eller transport. Se till att det finns utrymme för att sätta dit och ta bort linsskydd när siktet monterats på vapnet.

e) Kontrollera slutligen att alla skruvar till båda ringarna är ordentligt åtdragna runt siktet. Gänglåsning rekommenderas.

OBS! Om du drar åt ringarnas skruvar för hårt kan siktet skadas.

g) Genomför inskjutning (2.2.1).

2.2 Användning

2.2.1 Inskjutning

WARNING! Grovriktning och inskjutning bör genomföras på en bemannad skjutbana eller annan säker skjutplats. Plundra vapnet på ammunition och säkra det innan du justerar siktet! Om du inte är van vid skjutvapen eller säkerhetsbestämmelserna på skjutplatsen kontaktar du en återförsäljare, vapensmed eller annan behörig källa.

När Hunter-siktet levereras från fabriken är punkten centrerad. Normalt sett innebär detta att endast små justeringar ska behövas, förutsatt att ringarna och klackarna monterats på rätt sätt och fästena dragits åt ordentligt.

NOTERA: Fortsätt inte skruva på justerskruvarna om du känner ett motstånd. Höjdjusterskruven (4) sitter överst på siktet medan sidojusterskruven (5) sitter på siktets högra sida.

a) Sätt på siktet genom att trycka på knappen [+] eller [-] på de digitala tryckknapparna (1) tills den röda punkten är tillräckligt skarp för att utgöra en kontrast mot målet. För bästa resultat ska punkten inte vara starkare än vad som krävs med hänsyn till ljusförhållandena på skjutplatsen.

OBS! När du sätter på siktet är ljusstyrkan automatiskt i position 7 av 12.

b) Ta bort hattarna över justerskruvarna (4)/(5).

OBS! Varje klick på justerskruven innebär att träffpunkten rör sig 16 mm på 80 meter (20 mm på 100 meter).

c) Vrid justerskruvorna (4)/(5) med hjälp av justeringsverktyget (6) som medföljde siktet eller förhöjningarna på ovansidan av hattarna (4)/(5):

- Flytta träffpunkten åt höger genom att vrida sidojusterskruven (5) moturs.
- Flytta träffpunkten åt vänster genom att vrida sidojusterskruven (5) medurs.
- Flytta träffpunkten uppåt genom att vrida höjjusterskruven (4) moturs.
- Flytta träffpunkten nedåt genom att vrida höjjusterskruven (4) medurs.

d) Kontrollera genom att skjuta minst tre skott mot en inskjutningstavla.

Kontrollera träffarna i inskjutningstavlan och upprepa ovanstående åtgärder vid behov.

e) Efter första skottet kontrolleras att klackarna och siktet sitter ordentligt fast.

f) Stäng av siktet genom att hålla in knappen med [-] på de digitala tryckknapparna (1) i 1,5 sekunder.

g) Sätt tillbaka linsskydden.

KAPITEL III

ANVÄNDNING UNDER EXTREMA FÖRHÅLLANDEN

3.1 Om särskilda förfaranden krävs

a) Extrem värme (fuktig eller torr). Inga särskilda åtgärder krävs.

b) Extrem kyla. Extrem kyla kan förkorta batteritiden. Förvara extra batterier i innerfickan för att hålla dem varma.

c) Vid havsmiljö. Inga särskilda åtgärder krävs.

d) Dimma, vatten, smuts eller snö. Kontrollera att batterilocket och de båda hattarna för justerskruvorna sitter åt ordentligt innan siktet används. Dra åt för hand. Låt linsskydden vara monterade när siktet inte används. Rengör linserna med en mjuk putsduk och torka dem torra så snart som möjligt efter att de utsatts för vatten, dimma, smuts eller snö.

e) Damm- och sandstormar. Låt linsskydden vara monterade när siktet inte används.

f) Hög höjd. Inga särskilda åtgärder krävs.

NOTERA: Linserna ska inte rengöras med fingrarna – använd alltid en mjuk putsduk.

Om det inte finns någon putsduk:

- Ta bort smuts (sand, gräs osv.): blås bort smutsen.
- Rengör linserna: andas imma på linserna för att torka dem med en ren och mjuk trasa.

KAPITEL IV

FELSÖKNING

4.1 Den röda punkten syns inte

Förbrukat batteri:

Byt batteri

Batteriet felaktigt insatt:

Ta ut och sätt in batteriet med pluspolen [+] mot locket

Dålig kontakt vid batteriet:

Rengör kontaktytorna och sätt tillbaka batteriet

4.2 Omöjligt att skottställa

Justerskraven går inte att skruva längre:

Kontrollera att klackarna är i linje med pipan

Träffpunkten flyttas:

Kontrollera att klackarna sitter stabilt

4.3 Punkten verkar inte vara rund

Detta beror troligtvis på hur ögat uppfattar punkten. Plundra vapnet på ammunition och säkra det. Sätt på siktet och titta genom det. Roter långsamt på siktet. Om den felaktiga formen på punkten inte roterar med siktet beror ojämnheten på hur ögat uppfattar punkten. Effekten kan minimeras genom att endast justera intensiteten såpass att den passar rådande ljusförhållanden (mörker/dagsljus).

KAPITEL V

UNDERHÅLL

5.1 Underhållsbehov

a) Rödpunktsiktet kräver inget speciellt underhåll vid användning under normala förhållanden.

b) Under svåra väderförhållanden – se kapitel III.

c) Ha alltid linsskydden monterade när siktet inte används.

d) Längre tids förvaring: Ta ut batteriet och låt vid behov linserna torka ordentligt innan du monterar linsskydden.

e) Rengöring av linserna – se Observera i kapitel III.

f) Garantin upphör att gälla om du plockar isär siktet eller försöker utföra service på invändiga delar.

WARRANTY

Aimpoint guarantees this product to be free from original manufacturer defects in material and/or workmanship under normal use for a period of two years for professional or frequent competition use and ten years for personal use from the date of purchase.

Personal use shall mean: use of the sight in a way that implies less exposure than professional use.

Professional or frequent competition use shall mean: daily or highly frequent use of the sight in professional activities (military or law enforcement) or under conditions that could be compared to as professional.

The warranty is valid provided that the sight has not been misused, disassembled or tampered with in any way.

Any attempt to disassemble or repair the product will void the warranty.

This warranty shall not apply to rubber and thermoplastic components.

This warranty is limited to the original purchaser of the product/s and is not transferable to any third party, unless otherwise follows from mandatory law.

Any warranty claim must be accompanied by a copy of the original receipt showing date of purchase and shall be notified as soon as can be reasonably required.

In case the product is defective in original manufacturer material and/or workmanship, Aimpoint undertakes either to repair, replace or compensate the purchaser its purchase price for such defective product.

Serial no:

Purchase date:

AIMPOINT DISCLAIMS ALL IMPLIED WARRANTIES IN CONNECTION WITH THE SALE OF THIS PRODUCT, INCLUDING, BUT NOT LIMITED TO, THE IMPLIED WARRANTY OF FITNESS FOR A PARTICULAR PURPOSE AND THE IMPLIED WARRANTY OF MERCHANTABILITY. THERE ARE NO EXPRESS WARRANTIES THAT EXTEND BEYOND THIS WRITTEN WARRANTY OR ANY EXPRESS WARRANTY CONTAINED IN THE PRODUCT LITERATURE INCLUDED IN THE PACKAGING OF THIS PRODUCT.

GARANTIE

Aimpoint garantit que ce produit est exempt de défaut, tant au niveau des matériaux que de la fabrication, pour une utilisation normale pendant une période de deux ans à partir de la date d'achat pour une utilisation professionnelle ou fréquente en compétition et pendant une période de dix ans à partir de la date d'achat pour une utilisation privée.

Une utilisation privée est définie comme : une utilisation du viseur qui entraîne une exposition moindre que pour une utilisation professionnelle. Une utilisation professionnelle ou des compétitions fréquentes sont définies comme : une utilisation quotidienne ou très fréquente du viseur dans des activités professionnelles (militaires ou policières) ou dans des conditions comparables à celles de professionnels.

La garantie ne s'applique que si le viseur a été utilisé correctement et n'a pas été démonté ni modifié de quelque façon que ce soit.

Toute tentative de démontage ou de réparation du produit annule la garantie.

Cette garantie ne s'applique ni aux composants thermoplastiques, ni aux composants en caoutchouc.

Cette garantie se limite à l'acheteur d'origine du/des produits et n'est pas transférable à un tiers, sauf indication contraire dans la législation en vigueur.

Toute réclamation au titre de la garantie doit être accompagnée d'une copie du reçu d'origine indiquant la date d'achat et doit être effectuée aussi rapidement que possible et dans un délai raisonnable.

Si le produit est défectueux au niveau des matériaux et/ou de la fabrication, Aimpoint s'engage à réparer, remplacer, ou compenser l'acheteur du prix d'achat d'un tel produit défectueux.

N° de série :

Date d'achat :

AIMPOINT REJETTE TOUTE GARANTIE TACITE ASSOCIÉE À LA VENTE DE CE PRODUIT, Y COMPRIS, MAIS NON LIMITÉ À, LA GARANTIE IMPLICITE D'ADÉQUATION À UNE UTILISATION SPÉCIFIQUE ET LA GARANTIE IMPLICITE DE COMMERCIALISABILITÉ. IL N'EXISTE AUCUNE GARANTIE EXPRESSE AU-DELÀ DE LA PRÉSENTE GARANTIE ÉCRITE NI AUCUNE GARANTIE EXPRESSE CONTENUE DANS LA DOCUMENTATION DU PRODUIT LIVRÉE DANS L'EMBALLAGE DE CE PRODUIT.

GARANTIE

Aimpoint garantiert, dass dieses Produkt bei sachgemäßer Verwendung – über einen Zeitraum von zwei Jahren ab Kaufdatum für den beruflichen oder regelmäßigen, wettbewerbsmäßigen Gebrauch und über einen Zeitraum von zehn Jahren ab Kaufdatum für den persönlichen Gebrauch – keine vom Originalhersteller verursachten Material- bzw. Herstellungsfehler aufweist.

Persönlicher Gebrauch bedeutet: Gebrauch, der das Visier weniger beansprucht, als der berufliche Gebrauch.

Beruflicher oder regelmäßiger, wettbewerbsmäßiger Gebrauch bedeutet: täglicher oder sehr häufiger Gebrauch des Visiers bei beruflichen Aktivitäten (Militär oder Polizei) oder Gebrauch unter Bedingungen, die der beruflichen Verwendung gleichgesetzt werden können.

Diese Garantie schließt Schäden aus, die auf unsachgemäßen Gebrauch, Demontage oder Manipulation des Visiers zurückzuführen sind.

Mit dem Versuch, das Visier zu demontieren oder zu reparieren, wird diese Garantie ungültig.

Diese Garantie gilt nicht für Bauteile aus Gummi oder Thermoplast.

Falls gesetzlich nicht anders vorgeschrieben, kann diese Garantie nur vom Käufer des Produkts bzw. der Produkte geltend gemacht werden.

Ein Garantieanspruch kann nur mittels Originalrechnung und darauf vermerktem Kaufdatum erhoben werden und muss ehestmöglich gemeldet werden.

Bei vom Originalhersteller verursachten Material- bzw. Herstellungsfehlern wird das Produkt von Aimpoint entweder repariert, ausgetauscht oder dem Käufer der Kaufpreis für das defekte Produkt rückerstattet.

Seriennummer:

Kaufdatum:

AIMPOINT ÜBERNIMMT KEINERLEI GESETZLICHE ZUSICHERUNG DEN VERKAUF DIESES PRODUKTES BETREFFEND, INSBESONDERE NICHT DIE ZUSICHERUNG DER ERFORDERLICHEN GEBRAUCHSTAUGLICHKEIT UND DER ALLGEMEINEN GEBRAUCHSTAUGLICHKEIT. ES GIBT WEDER VERTRAGLICHE ZUSICHERUNGEN, DIE ÜBER DIESE SCHRIFTLICHE GARANTIE HINAUSREICHEN, NOCH EINE VERTRAGLICHE ZUSICHERUNGEN IN DER DEM PRODUKT BEILIEGENDEN DOKUMENTATION.

GARANTÍA

Aimpoint garantiza que este producto no presenta defectos de fabricación respecto a los materiales y/o calidad, bajo condiciones normales de utilización, durante un periodo de dos años desde la fecha de compra en caso de uso profesional o de competiciones frecuentes, y de diez años en caso de uso personal.

Por uso personal se entiende: utilización de la mira de manera que suponga una frecuencia de uso menor que en actividades profesionales. Por uso profesional y competiciones frecuentes se entiende: utilización diaria o muy frecuente de la mira en actividades profesionales (cuerpos de policía y ejército) o bajo condiciones similares que podrían considerarse profesionales.

La garantía será válida siempre y cuando la mira no se haya utilizado de manera incorrecta ni se haya desmontado ni forzado de alguna manera.

Cualquier intento de desmontar o reparar el producto anulará la garantía.

Esta garantía no es válida para los componentes termoplásticos y de caucho.

Esta garantía sólo incluye al comprador original del producto y no puede transferirse a terceras partes, a menos que así lo disponga una ley de cumplimiento obligatoria.

Toda reclamación en virtud de la garantía debe acompañarse de una copia de la factura original en la que aparezca la fecha de compra y debe notificarse tan pronto como sea posible tras su petición.

En caso de que el producto resulte defectuoso en lo que se refiere al material o a calidad de fabricación, Aimpoint se compromete a reparar, reemplazar o reembolsar al comprador el precio de compra del producto defectuoso.

Nº de serie:

Fecha de compra:

AIMPOINT NO SE HACE RESPONSABLE DE LAS GARANTÍAS IMPLÍCITAS QUE TENGAN RELACIÓN CON LA VENTA DE ESTE PRODUCTO, INCLUYENDO, PERO NO LIMITADAS A, LA GARANTÍA IMPLÍCITA DE MANTENIMIENTO PARA PROPÓSITOS PARTICULARES Y LA GARANTÍA IMPLÍCITA DE COMERCIALIZACIÓN. NO EXISTEN GARANTÍAS EXPRESAS QUE SE EXTIENDAN MÁS ALLÁ DE ESTA GARANTÍA ESCRITA NI SE INCLUYE NINGUNA GARANTÍA EXPRESA EN EL MANUAL DE INSTRUCCIONES QUE SE PROPORCIONA EN EL EMBALAJE DE ESTE PRODUCTO.

GARANTI

Aimpoint garanterar att den här produkten vid normal användning inte har några fel avseende ursprungstillverkarens material och/eller arbete under en period av två år från inköpsdatum vid professionell användning eller flitigt tävlande samt under tio år från inköpsdatum vid personlig användning.

Personlig användning innebär: användning av siktet på ett sätt som gör det mindre utsatt än vid professionell användning.

Professionell användning och flitigt tävlande innebär: dagligt eller flitigt användande av siktet under professionella aktiviteter (militära eller polisiära) eller under förhållanden som kan jämföras med professionella.

Garantin är giltig under förutsättning att siktet inte använts på ett felaktigt sätt, tagits isär eller manipulerats på något sätt.

Alla försök att ta isär eller reparera produkten innebär att garantin inte gäller.

Den här garantin gäller inte komponenter av gummi eller termoplast.

Garantin är begränsad till den ursprungliga köparen av produkten (produkterna) och kan inte överföras till tredje part, om inget annat sägs i bindande lagstiftning.

Alla garantikrav måste åtföljas av en kopia av ursprungskvittot där inköpsdatum visas. Kravet måste väckas så snart som kan anses rimligt.

Om produkten är defekt avseende ursprungstillverkarens material och/eller arbete åtar sig Aimpoint att reparera eller byta ut produkten eller ersätta köparen med inköpspriset för den defekta produkten.

Serienr:

Inköpsdatum:

AIMPOINT FRÅNSÄGER SIG ALLA UNDERFÖRSTÅDDA GARANTIER I SAMBAND MED FÖRSÄLJNING AV PRODUKTEN, INKLUSIVE, MEN INTE BEGRÄNSAT TILL UNDERFÖRSTÅDDA GARANTIER AVSEENDE LÄMPLIGHET FÖR ETT VISST ÄNDAMÅL ELLER SÄLJBARHET. DET FINNS INGA UTTRYCKLIGA GARANTIER UTÖVER DENNA SKRIFTLIGA GARANTI OCH INGA UTTRYCKLIGA GARANTIER I PRODUKTLITTERATUREN SOM MEDFÖLJER I PRODUKTENS FÖRPACKNING.