



INSTRUCTION MANUAL  
MANUAL DE INSTRUCCIONES  
NÁVOD NA POUŽITÍ  
BEDIENUNGSANLEITUNG  
MODE D'EMPLOI

---

**CZ 557**

**Before handling the firearm read this manual carefully and observe the following safety instructions.**

Improper and careless handling of the firearm could result in accidental discharge and cause injury, death or damage to property. The same repercussions can be caused by unauthorized modifications or adjustments, corrosion, or use of non-standard or damaged ammunition. In these cases, the manufacturer shall not be held responsible in any manner whatsoever for the resulting consequences.

Before leaving the factory, the firearm was tested, inspected and packaged in accordance with company policy. Ceska zbrojovka a.s. cannot accept responsibility for product handling whilst in transit after dispatch from the factory. Therefore, examine the firearm carefully upon receipt to ensure that it is unloaded and undamaged.

This instruction manual should always accompany the firearm in the event of loan or further sale.

**CONTENTS**

SAFETY INSTRUCTIONS	2	MAINTENANCE INSTRUCTIONS	10
THE RIFLE DESCRIPTION AND TERMINOLOGY	4	Stripping for Cleaning - Disassembly	10
OPERATING INSTRUCTIONS	7	Disassembly of the Bolt	10
Ammunition	7	Cleaning the Rifle	11
Loading of the Rifle	7	Cleaning the Barrel and the Chamber	11
Unloading of the Rifle	8	Cleaning of Other Rifle Parts	12
The Safety and its Operation	8	Preservation of Rifle	12
Cocking Indicator Operation	8	Waste Management	12
Trigger Mechanism Adjustment	8	LIST OF PARTS	13
Set-trigger Operation	9	TROUBLESHOOTING	14
Sight Adjustment	9	LIST OF ILLUSTRATIONS	15
Rifle Scope	10		

**SAFETY INSTRUCTIONS**

Always follow the safety instructions for your safety and the safety of others.

1. Always handle your firearm as if it were loaded.
2. Never point the firearm at anything you do not intend to shoot at. Also never point a firearm at anybody even in fun.
3. Never take anyone's word that the firearm is unloaded.
4. Always make sure that your firearm is not loaded before laying it down, or handing it over to another person.
5. Always store the firearm unloaded with the striking mechanism released.
6. Never abuse the firearm by using it for any purposes other than shooting.
7. Never leave a firearm unattended.
8. Prior to loading the firearm ensure the barrel, chamber and action are clean and clear of obstructions. If the firearm becomes excessively dirty during firing clean it immediately. Always clean the firearm after use.
9. Do not shoot the firearm, unless you are certain about the ammunition you are using. Do not use unmarked or hand-loaded ammunition from an unknown source, ammunition with a cracked, deformed or dented case or with a damaged bullet. Reloading is an expert activity and incorrectly reloaded ammunition may be extremely dangerous. It may result in heavy damage or destruction of the firearm and serious injury or death of the shooter or other persons. Always use clean and dry original high quality commercially manufactured ammunition, which corresponds to the caliber of the firearm.
10. Never drink alcohol or take drugs before and during shooting.
11. Whenever practical always wear safety glasses and ear protection while shooting.
12. Always keep the safety on when the firearm is loaded with a cartridge in the chamber, until you are ready to fire. Keep the firearm pointed in a safe direction when disengaging the safety.
13. A rifle with an activated set-trigger should be handed with maximum care, as even jolts during handling operations could cause an unintended discharge.

14. Always keep the ejection port clear of obstructions and people.
15. Never pull the trigger or put your finger within the trigger guard unless you are aiming at a target and ready to fire.
16. Always make absolutely sure of your target and the area behind it before pulling the trigger. The bullet can pass through or past the target up to several hundred meters.
17. Never shoot at a hard surface such as rock, or a liquid surface such as water.
18. Never fire near an animal unless it is trained to withstand the noise.
19. Never indulge in "horseplay" while holding the firearm.
20. Failure to fire: In case it fails to fire, hold the firearm keeping it pointed in a safe direction and wait 30 seconds. If a hangfire (slow ignition) has occurred, the cartridge will fire within 30 seconds. If the cartridge does not fire, eject the cartridge and examine it. If the firing pin indent on the cartridge is light, or non-existent, have the firearm examined by a competent gunsmith.
21. Always make sure your firearm is not loaded before cleaning, storing or travelling. Remove any unused ammunition from the firearm and store it in compliance with the law.
22. Always keep and store your firearm and ammunition in separate secure locations out of reach and sight of children and unauthorized persons. Always protect the ammunition from sources of heat and open fire.
23. Never alter any parts of your firearm; the safety and proper function of your firearm could be seriously affected.
24. Always be aware that corrosion, use of damaged ammunition, dropping the firearm on hard surfaces or other "rough treatment" can cause damage that is not necessarily obvious at first sight. If something like this happens, have the firearm examined and tested by a competent gunsmith.

## THE RIFLE DESCRIPTION AND TERMINOLOGY

The names of basic rifle parts used in this Instruction Manual are presented in Fig. 1 on the inner side of the cover. Nomenclatures of all CZ 557 parts are presented in the section *List of Parts*.

The CZ 557 is a bolt action rifle provided with the Remington bolt. The trigger mechanism of the rifle is supplied without a set-trigger; with a set-trigger or with a two-stage trigger. The trigger as such can be adjusted in pull weight and travel. The safety secures the rifle against accidental discharge and, depending on design variant, it can block the bolt handle against opening. The top of the receiver has milled grooves to accommodate scope mounts. The rifle is produced in several versions. Characteristic features of all versions are:

- a wide range of calibers, allowing for optimum choice of caliber - according to the particular use of the rifle
- the rifle is well-balanced and consequently quick and easy to aim
- easy mounting of rifle scope
- controlling elements, which are simple in operation, and easy to reach, manufactured also in left-handed version
- completely adjustable trigger mechanism
- cocking indicator indicates the position of the striking mechanism
- easy stripping for cleaning and routine maintenance, which can be carried out without any tools
- a high degree of accuracy when firing
- a long service life
- high functional reliability in all environments, even with ammunitions made by various manufacturers, and with different types of bullets
- threaded compensator or noise suppressor attachment (available on special request only and in territories where permitted by legislation)

**CZ 557 Lux, CZ 557 Lux II**

Made from high quality walnut wood, the stock is provided with a cheekpiece of the Bavarian type and it is treated with an oiled surface finish; moreover, it is provided with checkering and a rubber butt plate. The front sight of the rifle is adjustable for elevation and it is supplied with a fibre optic, while the rear sight can be adjusted for windage. The barrel of the rifle is floating. The Lux II design differs by a longer barrel, set-trigger mechanism and a safety blocking the bolt handle when engaged.

**CZ 557 Sporter**

The stock of this model is made of beech or walnut wood and it does not feature a cheekpiece; it is provided with checkering and a rubber butt plate. This rifle was designed exclusively for shooting with a scope. Its barrel is floating.

**CZ 557 Synthetic**

The soft-touch stock of this rifle is provided with grooves and roughened areas on the gripping points and with a rubber butt plate. It can also be supplied with fixed sights or without sights.

**CZ 557 Predator**

The stock of this model is made of plastic with Soft-Touch finish and Real Tree camouflage. It is provided with grooves and roughened areas on the gripping points and with a rubber butt plate. It can also be supplied with fixed sights or without sights.

**CZ 557 Carbine**

The stock of this model is made of walnut wood and is provided with a cheekpiece, checkering and a rubber butt plate. It allows aiming through open sights as well as optical sight. The height adjustable front sight is fitted with luminescent fibre. The rear sight is rotary and adjustable to the sides. It has a floating barrel.

**CZ 557 Range Rifle**

The stock of this model is made of beech wood, without a cheekpiece and is provided with checkering and a rubber butt plate. It allows aiming through open sights as well as optical sight. The height adjustable front sight is fitted with luminescent fibre. The rear sight is rotary and adjustable to the sides. It has a floating barrel, trigger mechanism with two switchable trigger pull values, safety with locking of the bolt.

**CZ 557 Varmint**

The stock of this model is made of walnut wood, without a cheekpiece, with high crest and is provided with checkering and a rubber butt plate. It has a heavy sports floating barrel. It is intended for shooting only with optical sights.

**CZ 557 Varmint Synthetic**

The plastic stock with the Soft-Touch surface treatment is provided with checkering at the gripping areas, a rubber butt plate and an adjustable cheekpiece. It has a heavy floating sports barrel. It is designed exclusively for shooting with optical sights.

**CZ 557 Varmint Laminated**

The single-piece varnished stock of laminated wood is provided with a pistol grip and an elevated stock ridge with a cheekpiece and fitted with a rubber butt plate. It has a heavy floating sports barrel. It is designed exclusively for shooting with optical sights.

**CZ 557 American**

The stock of this model is made of walnut wood and is provided with a cheekpiece, checkering and a rubber butt plate. It has a floating barrel. It is intended for shooting only with optical sights.

**CZ 557 Eclipse**

The plastic stock with the Soft-Touch surface treatment is fitted with a Trigatti interface for sling swivels, checkering at the gripping areas and with a rubber butt plate. The model includes a plastic trigger guard, fixed magazine base and follower. The barrel is floating. Alternatively, it can be supplied with fixed sights or without sights.

## OPERATING INSTRUCTIONS

### Ammunition

Always use ammunition in an allowable production design which is in compliance with standards applicable for ammunition manufacturers and is approved by the CIP (Permanent International Commission for Firearms Testing) or SAAMI (Sporting Arms and Ammunition Manufacturers' Institute Inc. of the United States). The use of other cartridges could damage the firearm or cause injury to the shooter. When using factory-made ammunition with standard speed, the use of firearms produced by Česká zbrojovka a.s. is safe. Check the ammunition you are going to use to make sure that it corresponds to the caliber of your firearm. Commercially produced ammunition is clearly marked with the caliber on the bottom or around the bottom of each cartridge case. The manufacturer of the firearm does not recommend excessive dry firing (firing without ammunition). It is advisable to use snap caps for dry training as they are intended for this purpose.

### Loading of the Rifle

ALWAYS MAKE SURE THE RIFLE IS POINTED IN A SAFE DIRECTION WHEN LOADING!

#### Box version

Open the bolt by raising the bolt handle and pulling it to its rearmost position. Place a cartridge on the follower and press it downward into the magazine box. After releasing the downward pressure, the cartridge is caught by the side walls of the box shell. Place the next cartridge on top of the previous one, and push in as described above. After loading the magazine box, use your thumb to push the last cartridge slightly to allow even arrangement of the entire cartridge column. When the magazine box is loaded, push the bolt firmly to its forward position, and rotate the bolt handle in a downward movement to close the bolt. This procedure inserts a cartridge into the chamber, and cocks the striking mechanism. The rifle is now ready to fire. If you do not intend to fire immediately ensure the safety of the firearm is applied as described further in the section *The Safety and its Operation*.

#### Magazine version

Open the bolt by raising the bolt handle and pulling it to its rearmost position. Replace the magazine. Place a cartridge on the follower and press it downward into the magazine box until it snaps behind the magazine mouth. Place the next cartridge on top of the previous one, and push in as described above. When the magazine box is loaded, push the bolt firmly to its forward position, and rotate the bolt handle in a downward movement to close the bolt. This procedure inserts a cartridge into the chamber, and cocks the striking mechanism. The rifle is now ready to fire. If you do not intend to fire immediately ensure the safety of the firearm is applied as described further in the section *The Safety and its Operation*.



## Unloading of the Rifle

ALWAYS MAKE SURE THE RIFLE IS POINTED IN A SAFE DIRECTION!

- press the floor plate latch (Fig. 2) open the magazine box and drop the released cartridges into your hand or press the magazine latch and remove the magazine
- open the bolt and check the cartridge has been extracted from the chamber and ejected
- close the bolt
- if the safety is engaged, move it to its "Safety-Off" position and pull the trigger (dry fire)

## The Safety and its Operation

Move the safety rearward to its "Safety-On" position (Fig. 3). This procedure locks the trigger mechanism so it is not possible to discharge a cartridge. The safety is made in two versions - either with or without locking of the bolt. The version with locking of the bolt does not allow opening of the bolt after locking. The version without locking of the bolt allows opening and safe handling of the bolt.

## Cocking Indicator Operation

The cocking indicator is located on the rear face of the bolt sleeve. If the striking mechanism is cocked, the cocking indicator protrudes from the bolt sleeve and its red part can be observed (Fig. 4). This protrusion can be checked both by sight and by touch.

## Trigger Mechanism Adjustment

### Trigger mechanism with single stage trigger

The trigger mechanism can be adjusted with respect to trigger pull weight and trigger travel, both prior to and after firing. The adjustment of the trigger pull and after-firing trigger travel (Fig. 5) can be performed by the adjusting screws A (trigger pull) and B (trigger travel) once the stock has been removed. When adjusting the pre-firing trigger travel, use the screw C located in the trigger (Fig. 5).

### Trigger mechanism with two-stage trigger

The trigger mechanism allows adjustment of a second trigger stage using the trigger lever pull screw D (Fig. 6). The adjustment of the trigger pull can be performed once the stock has been removed. Free travel of the trigger can be adjusted using the adjusting screw F located in the trigger. The travel after firing can be adjusted using the adjusting screw E.

### Trigger mechanism with set-trigger

The trigger mechanism enables using the set-trigger function, which significantly reduces trigger pull during firing. Length of the set-trigger travel can be set using the screw H in front of the trigger. Adjustment of trigger pull, trigger travel length and trigger stop can be carried out after removing the stock. Trigger pull is adjusted using the screw I, trigger travel length using the screw J and trigger stop using the screw G (refer to Fig. 7).

For security reasons, do not set the trigger pull too low and the trigger travel too short because the rifle could unintentionally discharge a cartridge when being handled improperly. Check the trigger adjustment is safe on the unloaded rifle by opening and closing the bolt repeatedly and moving the safety to on- and off- safe position. During this safety check, the rifle must not discharge.

**Note:** The set-trigger can be removed from the rifle without any impairment to the functional properties or adjustment of the conventional trigger.

### **Set-trigger Operation**

The set-trigger function is activated by drawing the trigger to the front (refer to Fig. 7). For safety reasons, activate the set-trigger only after the rifle is loaded and shortly before shooting. Do not carry your rifle with an activated set-trigger! If you have activated the set-trigger and you do not follow through with firing, keep your firearm pointed in a safe direction while carefully engaging the safety and then pull the trigger to disengage the set-trigger. Subsequently unload the rifle in the manner described above.

### **Sight Adjustment**

The elevation adjustment of the front sight is carried out by means of the two front screws (Fig. 8). The windage adjustment of the rear sight is carried out by the two screws located in the rear sight blade (Fig. 9).

#### Notes:

The rear sight as such can be reversed by 180° so that the rear sight blade can be leaned either in the direction of fire or against it. When exchanging the front sight it is necessary to slightly extend the front sight cover prior to removing it; thus you will prevent from damage to the front sight base.

**Rifle Scope**

Mounting of the riflescope and sighting-in of the rifle should be entrusted to a qualified gunsmith's workshop.

**MAINTENANCE INSTRUCTIONS****Stripping for Cleaning - Disassembly**

1. Open the magazine box and remove the cartridges from it or press the magazine latch and remove the magazine.
2. Open the bolt, and depress the bolt stop (Fig. 10), then pull the bolt out of the rifle. In order to depress the bolt stop it is possible to use the edge of a cartridge case, for example.
3. Check tightening of the stock fixing screws (pos. 66 and 67) and tighten them as necessary with the torque of 8.5 Nm, or 7 Nm in the case of the Eclipse model with the plastic trigger guard (pos. 65).

No further disassembly is needed for routine maintenance. When a great number of cartridges has been fired have the rifle disassembled and the bolt cleaned by a gunsmith's workshop.

**Disassembly of the Bolt**

**BEFORE BOLT DISASSEMBLY CHECK FOR YOURSELF THAT THE CHAMBER IS EMPTY!**

Remove the bolt out of the rifle as previously described. Release the firing mechanism by turning the bolt sleeve counterclockwise by 90° (Fig. 11) ), or clockwise by 90° in the case of a left-handed model. Remove the bolt handle pin, take out the bolt handle as well as the firing pin.

**CAUTION:**

Do not strip your firearm any further. If you assume that your firearm requires adjustment or repair, entrust this work to a competent gunsmith in a specialized workshop!

**Cleaning the Rifle**

## Clean the Rifle

- each time you use it
- if you get your rifle wet
- as soon as possible after shooting
- at least once a year in a temperate climate
- as often as once a month in a tropical climate, or other demanding environments

**Cleaning the Barrel and the Chamber**

If the firearm has not been fired or if only a few cartridges have been fired clean the barrel and cartridge chamber with a clean patch attached to the cleaning rod. Repeat the cleaning, changing patches, until the last patch comes out clean. When the barrel is very dirty, apply a gun cleaning solution using cleaning brush. Let the solvent act for about 10 minutes (this time may vary depending on the solvent agent being used). Then thoroughly scrub out the barrel. Subsequently, dry the barrel and cartridge chamber with a clean patch and check that all powder residues, or fouling have been removed. If necessary, repeat this procedure.

The cleaning rod and the brush must be inserted into the barrel from the chamber, to prevent wear or damage to the muzzle. Pass the brush all the way through the barrel before reversing the movement. If you try to change directions with the brush in the barrel, the brush could stick.

**Cleaning of Other Rifle Parts**

Other parts of the rifle can be cleaned with a dry cloth, old toothbrush, copper bristle brush or a wooden scraper. Preserving oil or paraffin oil can be used for proper cleaning. Never use the agent designed for barrel bore cleaning! These solutions could remain in the joints, and after some time could cause corrosion. Check that cloth particles or brush bristles have not become lodged in any part of the rifle.

**Preservation of Rifle**

When the barrel, chamber, and all accessible parts are clean and dry, wipe these parts with a cloth soaked in gun oil or apply an oil in spray form. Remove all excess oil.

Before shooting always pull through the barrel with dry patch. At very low temperatures remove the oil from all accessible parts or apply a lubricant especially for these conditions. Use thick preserving agents such as preserving grease only for long-term storage in severe climatic environments, and remove it thoroughly before use from all parts of the firearm.

**Waste Management**

When used properly, the materials used in the product and its packaging have no adverse effects on human health or the environment. When disposing of the product or its packaging, all metal parts (steel and non-ferrous metals), plastics, wood, paper and cardboard should be stored separately in collecting containers intended specifically for that purpose.

## LIST OF PARTS

1 Barrel	29 Adjusting trigger screw (C)	59 Butt plate	89 Trigger spring
2 Front sight base	30 Nylon line $\varnothing$ 2mm	60 Butt plate screw (2x)	90 Trigger lever pull screw (D)
3 Front sight base screw (2x)	31 Trigger unit securing screw	61 Swivel stud (2x)	91 Trigger lever
4 Front sight cover	32 Trigger unit securing screw washer	62 Sling swivel (2x)	92 Trigger lever set screw (E)
5 Front sight	33 Firing pin catch	63 Swivel screw (2x)	93 Trigger lever pull spring
6 Front sight pin	34 Firing pin catch spring	64 Swivel screw rest (2x)	94 Free travel screw (F)
7 Fiber optic	35 Sear stop	65 Trigger guard - box version	95 Trigger stop screw (G)
8 Front sight adjusting screw A	36 Safety plunger	66 Fastening screw, front	96 Magazine spring
9 Front sight adjusting screw B	37 Roller	67 Fastening screw, rear	97 Magazine shell
10 Rear sight base	38 Roller pin	68 Follower	98 Magazine floor plate
11 Rear sight base screw (2x)	39 Safety plunger pin	69 Follower spring	99 Trigger pull spring
12 Rear sight blade	40 Bolt	70 Box shell	100 Trigger holder
13 Rear sight adjusting screw (2x)	41 Extractor	71 Floor plate	101 Set-trigger lever
14 Receiver	42 Extractor pin	72 Floor plate pin	102 Trigger lever
15 Safety	43 Extractor spring	73 Floor plate latch	103 Trigger
16 Safety stop (2x)	44 Ejector	74 Floor plate latch spring	104 Trigger spring
17 Bolt stop	45 Ejector pin	75 Barrel insert	105 Clamp safety (2x)
18 Bolt stop spring	46 Ejector spring	76 Magazine frame	106 Set-trigger lever pin
19 Bolt stop pin (2x)	47 Bolt handle	77 Magazine latch	107 Set-trigger lever spring
20 Trigger	48 Bolt handle knob	78 Compensator	108 Set-trigger adjusting screw (H)
21 Trigger pull adjusting screw (A)	49 Bolt handle pin	79 Magazine latch spring	109 Trigger pull screw (I)
22 Trigger pin	50 Firing pin	80 Magazine latch spring pin	110 Trigger stop screw nut
23 Nylon line $\varnothing$ 1.6mm	51 Firing pin spring	81 Follower	111 Trigger travel length adjusting screw (J)
24 Trigger holder	52 Firing pin spring ring	82 Magazine shell	112 Weaver rail
25 Pin (3x)	53 Swivel (2x)	83 Magazine spring	113 Weaver rail screws (2x)
26 Trigger overtravel adjusting screw (B)	54 Firing pin nut	84 Magazine floor plate latch	
27 Trigger pull adjusting screw spring	55 Firing pin nut pin	85 Magazine floor plate	
28 Adjustment screw nut	56 Bolt sleeve	86 Trigger holder	
	57 Cap	87 Trigger	
	58 Stock	88 Trigger pin	

**TROUBLESHOOTING**

If your firearm is properly used and maintained, malfunctions will rarely occur. However, if such a situation does occur please observe the following instructions.

**CAUTION** - if a malfunction occurs, the possibility of an accidental discharge is substantially higher. For this reason, when clearing malfunctions, follow the above mentioned Safety Instructions. Keep the rifle pointed in a safe direction, do not turn the rifle against your body or anyone else's. Do not place your hands in front of the barrel!

<b>Malfunction</b>	<b>Possible Cause</b>	<b>Remedy</b>
A cartridge has not been fed into the chamber	The rifle or cartridges are fouled (dirty).	Clean the rifle and cartridges and wipe them dry or as the situation dictates, slightly lubricate.
Misfire	Defective cartridge. Firing Pin hole is fouled (dirty) or improper lubricant was used in low temperature conditions.	Follow Point 20 of the Safety Instructions. Disassemble and clean the firing pin or use low temperature lubricant.
A shot sounds "weak"	The cartridge has been activated but no powder load was inside the cartridge case.	Unload the rifle and check that the bullet has not obstructed the barrel. Any subsequent shot could cause damage to the barrel!
The spent case has not been ejected	Chamber, extractor or ammunition dirty or unsuitable lubricant in low temperatures.	Clean and wipe the rifle dry or eventually lubricate lightly with a suitable agent. Use clean and new ammunition.

If you are not able to clear the malfunction in a manner described above, entrust the firearm to a competent gunsmith for inspection and repair.

**LIST OF ILLUSTRATIONS**

1. Basic rifle parts
2. Opening the magazine box
3. Safety-on position
4. Cocking indicator engaged
5. Single-stage trigger adjustment
6. Two-stage trigger adjustment
7. Adjustment of trigger mechanism with set trigger
8. Front sight adjusting screws, detail
9. Rear sight adjusting screws, detail
10. Pressing the bolt stop
11. Removing the bolt

The Company, reserves the right to make changes it thinks necessary to improve its models or to meet any requirements of manufacturing or commercial nature.



**Antes de manipular el arma, lea cuidadosamente este manual y observe especialmente las siguientes instrucciones de seguridad.**

Un manejo incorrecto y descuidado del arma podría producir un disparo no intencionado causando lesiones corporales, muerte o daños a la propiedad. Las mismas consecuencias pueden tener modificaciones no autorizadas, corrosión o uso de una munición no prescrita o averiada. El fabricante no se hará responsable por las consecuencias originadas en estos casos.

Antes de abandonar la fábrica, el arma fue probada, revisada cuidadosamente y empaquetada. CZ no puede controlar la manipulación del producto una vez que el mismo abandone la fábrica. Por esta razón, al comprar este arma verifique que la misma esté descargada y sin averías.

Este Manual de Instrucciones deberá siempre acompañar el arma, incluso cuando la misma fuese prestada o vendida.

## **CONTENIDO**

INSTRUCCIONES DE SEGURIDAD	17	INSTRUCCIONES DE MANTENIMIENTO	26
TERMIN. Y DESCRIPCIÓN DE LA CARABINA	19	Desmontaje del arma para la limpieza	26
INSTRUCCIONES DE USO	22	Desmontaje del cerrojo	26
Munición	22	Limpieza de la carabina	27
Cargar la carabina	22	Limpieza del ánima y la recámara	27
Descargar la carabina	23	Limpieza de otras partes de la carabina	28
Seguro de la carabina	23	Conservación	28
Función del advertidor	23	Tratamiento de los residuos	28
Ajuste del mecanismo de disparo	24	ELIMINACIÓN DE FALLAS FUNCIONALES	29
Función del pelo de gato francés	25	LISTA DE COMPONENTES	30
Ajuste de miras	25	LISTA DE ILUSTRACIONES	31
Mira óptica	25		

**INSTRUCCIONES DE SEGURIDAD**

Mantenga siempre las instrucciones de seguridad; por su seguridad personal y la de los demás.

1. Manipule siempre con su arma como si estuviera cargada.
2. No apunte nunca a ningún objeto, si no tiene la intención de disparar.
3. No confíe a nadie que el arma esté descargada.
4. Antes de dejar de utilizar el arma o entregarla a otra persona, verifique siempre que esté descargada.
5. Almacene el arma descargada y con el mecanismo de percusión suelto.
6. No utilice nunca el arma con otros fines que para disparar.
7. Nunca deje sin vigilancia un arma cargada.
8. Antes de cargar el arma, asegúrese que el ánima del cañón, la recámara y la corredera estén limpios y sin obstrucciones. Limpie el arma después del disparo tan pronto sea posible.
9. No dispare del arma sin conocer la munición que está usando. No utilice una munición sin marcación, recargada manualmente; una munición con casquillo rajado, deformado o abollado, o una bala con signos de avería. La recarga es una actividad especializada y una munición recargada de forma incorrecta (con fallas) puede ser extremadamente peligrosa, con el eventual daño/destrucción grave del arma y lesiones de gravedad o la muerte del tirador y otras personas. Utilice siempre una munición limpia, seca y de fabricación original, de alta calidad y en un buen estado, correspondiente al calibre de su arma.
10. Nunca tome bebidas alcohólicas o utilice estupefacientes antes o durante el disparo.
11. En caso de ser posible, utilice protectores de oídos y gafas de tiro protectoras durante el tiro.
12. Si el arma está cargada, mantenga el seguro en la posición de seguridad hasta el momento de estar preparado para el disparo. Al retirar el seguro apunte a un espacio seguro.
13. Si el mecanismo del disparador con el dispositivo tensor (pelo) se encuentra en la posición de montado, manipule la carabina con mucho cuidado, ya que las sacudidas durante el manipuleo del arma podrían causar un disparo no intencionado.

14. Mantenga libre la ventanilla de expulsión e impida que alguien se coloque en la dirección de la cartuchera expulsada.
15. No presionar el disparador y no introducir los dedos en el guardamonte del disparador, a no ser, que esté apuntando al blanco y preparado para disparar.
16. Antes de presionar el disparador, vuelva a controlar su objetivo y el espacio posterior del mismo. La bala puede atravesar el objetivo o desviarse fuera de este y pasar a una distancia de varios cientos de metros.
17. Nunca dispare a una superficie dura, como una piedra, o una superficie líquida como la del agua por ejemplo.
18. No dispare nunca cerca de un animal que no esté entrenado para este tipo de ruido.
19. Al manipular con el arma, evite todo tipo de "bromas".
20. Falla del disparo: En el caso de no producirse el disparo, mantenga el arma apuntando hacia el blanco de disparar o hacia un espacio seguro y espere treinta segundos. En el caso de producirse una ignición atrasada, el cartucho disparará en treinta segundos. Si no se produciría el disparo, retire el cartucho del cañón y revíselo. Si la huella del percutor en el cartucho es débil o falta, antes de realizar el siguiente disparo deje revisar el arma por un armero calificado.
21. Antes de limpiar, almacenar o transportar el arma, asegúrese siempre que su arma esté descargada. La munición no disparada retire del arma y guarde con seguridad en conformidad con los reglamentos legislativos.
22. Guarde la carabina y la munición siempre en un espacio separado y bajo llave, fuera de alcance y vista de los niños y personas no autorizadas. Proteja la munición siempre del contacto con fuentes de calor y el fuego abierto.
23. No haga arreglos de los componentes del arma, ya que así se podría afectar de una forma importante, la correcta función del arma y su seguridad.
24. Recuerde, que la corrosión, el uso de una munición averiada, caída del arma sobre una superficie dura o una manipulación inadecuada podría causar un daño, que no necesariamente esté percibido a primera vista. En caso que ocurra una situación similar, deje revisar el arma por un especialista.

**TERMIN. Y DESCRIPCIÓN DE LA CARABINA**

La denominación de las partes principales de la carabina, utilizada en este Manual está indicada en el gráfico No.1 en la parte interior de la tapa del libro. La denominación de todos los componentes del arma está indicada en el capítulo *Lista de componentes*.

El CZ 557 es un fusil de repetición con el cerrojo tipo Remington. Su mecanismo disparador puede venir, según la versión, sin o con el pelo de gato francés, o con un gatillo de dos resistencias. El gatillo está provisto con una regulación de la resistencia y del recorrido. El seguro asegura el arma contra un disparo no intencionado y según la versión puede también bloquear la palanca del cerrojo para impedir que la misma se abra. Para fijar el sujetador de la mira óptica sirven ranuras en la parte superior del recibidor del cerrojo. Se fabrican en varias versiones. Entre los rasgos característicos de cada versión destacan:

- Amplio surtido de calibres que facilita una óptima selección del calibre según las condiciones del uso de la carabina
- Buena alineación del arma garantiza un apuntamiento rápido y fácil
- Montaje fácil de miras ópticas
- Manipuladores de manejo y acceso fácil, fabricados también en la versión para zurdos
- Mecanismo de disparo completamente ajustable
- Señalización de que el mecanismo de percusión se encuentra montado
- Desmontaje fácil para la limpieza y mantenimiento regular, posibles de realizar sin ningunas herramientas
- Alta precisión del tiro
- Alta vida útil
- Alta confiabilidad de funcionamiento en todas condiciones de uso y aún utilizando varios tipos de munición de varios productores con varios tipos de balas
- La posibilidad de la sujeción de un compensador o un silenciador (solamente a pedido especial para países donde se permite legalmente su uso)

### **CZ 557 Lux, CZ 557 Lux II**

Fabricada de la madera de nogal de alta calidad, la culata dispone de carrillera bávara y es provista de un acabado al aceite; la complementan grabados y una cantonera de caucho. El rifle facilita el apuntamiento tanto con miras abiertas, como con una mira óptica. La mira es ajustable en altura y es provista de fibra óptica mientras que el alza es rotativa y ajustable en deriva. El cañón es flotante. La versión Lux II se diferencia por un cañón más largo, el mecanismo de disparo con el pelo de gato francés y el seguro que bloquea la palanca del cerrojo durante su uso.

### **CZ 557 Sporter**

La culata de este modelo es fabricada de madera de haya o de nogal, sin carrillera; la completan grabados y cantonera de caucho. El fusil es diseñado exclusivamente para disparar con una mira óptica. Su cañón es flotante.

### **CZ 557 Synthetic**

El CZ 557 Synthetic dispone de una culata con el acabado de superficie Soft-Touch, las zonas de agarre con picado, no falta una cantonera de caucho. Se fabrica con miras fijas o sin miras.

### **CZ 557 Predator**

Culata de polímero con el acabado de superficie Soft-Touch con el camuflaje Real Tree, provista con picado en las zonas de agarre y con una cantonera. Se fabrica con miras fijas o sin miras.

### **CZ 557 Carbine**

Culata de nogal con carrillera, provista con grabados y una cantonera. Facilita el disparo apuntando con miras abiertas o con una mira telescópica. El guion ajustable en altura es provisto con fibra óptica. El alza completamente rotativa es ajustable en deriva. Cañón flotante.

### **CZ 557 Range Rifle**

Culata de madera de haya sin carrillera, provista con grabados y una cantonera. Facilita el disparo apuntando con miras abiertas o con una mira óptica. El guion ajustable en altura es provisto con fibra óptica. El alza completamente rotativa es ajustable en deriva. El rifle posee el cañón flotante, mecanismo de disparo con resistencia doble, un seguro con el bloqueo del cerrojo.

**CZ 557 Varmint**

Culata de madera de nogal sin carrillera con lomo alto, provista con grabados y una cantonera. Dispone de un cañón flotante pesado deportivo. El rifle es destinado exclusivamente para el disparo con una mira óptica.

**CZ 557 Varmint Synthetic**

Culata de polímero con acabado de superficie Soft-Touch, provista de grabados en las zonas de agarre, con cantonera de goma y carrillera ajustable. Posee un cañón deportivo pesado flotante. El rifle está destinado exclusivamente para el disparo con mira óptica.

**CZ 557 Varmint Laminated**

Culata barnizada de una sola pieza de madera estratificada con empuñadura de pistola y parte superior elevada con carrillera y provista con cantonera de goma. Posee un cañón deportivo pesado flotante. El rifle está destinado exclusivamente para el tiro con mira óptica.

**CZ 557 American**

Culata de nogal con carrillera, provista con grabados y una cantonera. Cañón flotante. El rifle es destinado exclusivamente para el disparo con una mira óptica.

**CZ 557 Eclipse**

Culata de polímero con acabado de superficie Soft-Touch, provista de un interfaz trigatti para las anillas de la correa, grabados en las zonas de agarre y cantonera de goma. El modelo incluye un marco de polímero del cargador fijo, el fondo del cargador fijo y un alimentador. El cañón es flotante. Opcionalmente se puede entregar con miras fijas o sin miras.

## INSTRUCCIONES DE USO

### Munición

Utilice siempre una munición de tipo de fabricación autorizada que cumple las normas establecidas para el productor de munición y es aprobada por la organización CIP (Organización internacional para pruebas de armas de fuego manuales y la munición) o SAAMI (una norma norteamericana para armas y munición). El uso de otro tipo de cartuchos podría causar daños en el arma y heridas al tirador. En caso de usar una munición de fabricación industrial con una velocidad estándar el uso de armas de Česká zbrojovka a.s. es seguro. Compruebe la munición que va a utilizar para tener la seguridad que la misma corresponde al calibre de su arma. La munición de fabricación comercial dispone de una demarcación clara del calibre en el fondo, eventualmente en la proximidad del fondo de casquillo. El fabricante no recomienda a disparar el arma en vacío (sin cartuchos). Para el entrenamiento sin disparar cartuchos de fuego real utilice los que son específicos para ese uso.

### Cargar la carabina

AL CARGAR LA CARABINA APUNTE SIEMPRE HACIA UN ESPACIO SEGURO!

#### Versión con cargador fijo

Abra el cerrojo dando una vuelta con la manivela hacia arriba y desplazándola hacia atrás, hasta el tope. Coloque el cartucho en el alimentador e introdúzcalo presionando en el cargador fijo. Después de aflojarse, el cartucho quedaría atrapado en el la pared lateral del cargador. El siguiente cartucho coloque sobre el otro e introdúzcalo de la misma manera. Después de llenar el cargador fijo presione con el dedo gordo el último cartucho cargado, acomodando así de forma simétrica toda la columna de cartuchos. Una vez cargado el cargador, desplace con un movimiento continuo el cerrojo hacia adelante y ciérrelo dando una pequeña vuelta con la palanca en la dirección hacia abajo. Durante este procedimiento entra el cartucho en la recámara y se monta el mecanismo de percusión. Ahora, la carabina está lista para disparar. Si no va a disparar de inmediato, asegure el arma de la forma indicada más adelante en la parte *Seguro de la carabina*.

#### Versión con cargador extraíble

Abra el cerrojo dando una vuelta con la manivela hacia arriba y desplazándola hacia atrás, hasta el tope. Saque el cargador extraíble. Coloque el cartucho en el alimentador e introdúzcalo presionando en el cargador extraíble hasta que el cartucho encaje detrás de la boca

de cargador. Coloque el siguiente cartucho sobre el otro e introdúzcalo de la misma manera. Después de llenar el cargador extraíble presione con el dedo gordo el último cartucho cargado, acomodando así de forma simétrica toda la columna de cartuchos. Una vez lleno el cargador, introdúzcalo en el arma y desplace el cerrojo con un movimiento continuo hacia adelante y ciérrelo dando una pequeña vuelta con la manivela hacia abajo. Durante este procedimiento entra el cartucho en la recámara y se monta el mecanismo de percusión. Ahora, la carabina está lista para disparar. Si no va a disparar de inmediato, asegure el arma de la forma indicada más adelante en la parte *Seguro de la carabina*.

### Descargar la carabina

¡APUNTE HACIA UN ESPACIO SEGURO!

- Presione el trinquete del fondo del cargador fijo (dib.2), abra la caja de cartuchos y recoja cartuchos libres con la mano, en la versión con cargador extraíble presione el trinquete del cargador y saque el cargador extraíble.
- Abra el cerrojo y verifique que el cartucho fue expulsado de la recámara y desechado
- Cierre el cerrojo
- Si el seguro está activado, desactívelo y presione el gatillo (disparo en seco)

### Seguro de la carabina

Desplace el seguro en la dirección hacia atrás hacia la posición extrema posterior (dib. 3). De esta manera el mecanismo disparador queda inhabilitado y no puede salir ningún disparo. El seguro se produce en dos versiones - o con el bloqueo del cerrojo o sin el bloqueo del cerrojo. La versión sin el bloqueo del cerrojo facilita la apertura y una manipulación segura con el cerrojo.

### Función del advertidor

El advertidor está colocado en la frente posterior del cerrojo. En caso de que el percutor se encuentra montado, el advertidor sobresale del cierre y se puede ver su parte roja (dib. 4). El resalte se puede advertir mediante la vista y el tacto.



## **Ajuste del mecanismo de disparo**

### **Mecanismo de disparo con gatillo con una resistencia**

En el mecanismo de disparo se puede ajustar la resistencia de gatillo y el largo del recorrido de gatillo antes y después del disparo. Para ajustar la resistencia y el recorrido de gatillo después del disparo (dib. 5) hay que quitar la culata y ajustar los tornillos de ajuste A (resistencia) y B (recorrido después del disparo). El recorrido de gatillo antes del disparo se ajusta con el tornillo C colocado en el disparador (dib. 5).

### **Mecanismo de disparo con gatillo de dos resistencias**

La segunda resistencia de gatillo se puede ajustar mediante el tornillo de resistencia de la palanca de gatillo D (dib. 6). El ajuste de la resistencia se realiza después de quitar la culata. La longitud del recorrido en vacío del gatillo se ajusta utilizando el tornillo F colocado en el gatillo. El ajuste de la longitud del recorrido de disparo se puede realizar utilizando el tornillo E.

### **Mecanismo de disparo con pelo de gato francés**

En el mecanismo de disparo es posible aprovechar la función del pelo de gato francés que de manera importante baja la resistencia del disparador durante el disparo. La longitud del recorrido del pelo de gato francés se puede ajustar mediante el tornillo H situado delante del gatillo. Los ajustes de la resistencia de gatillo, de la longitud de su recorrido y de su caída se realizan después de quitar la culata. La resistencia de gatillo se ajusta mediante el tornillo I, la longitud del recorrido mediante el tornillo J y la caída con el tornillo G (dib. 7).

Por razones de seguridad no ajuste la resistencia de gatillo excesivamente baja y recorridos cortos antes del disparo, porque la manipulación inapropiada con el arma podría ocasionar un disparo no intencionado. Verifique la seguridad del ajuste del mecanismo disparador abriendo y cerrando la cerradura del arma descargada y activando y desactivando su seguro. Durante este proceso el arma no debe producirse un disparo espontáneo.

**Nota:** Es posible desmontar el pelo de gato francés del arma, sin que la función o el ajuste del propio disparador se altere.

### **Función del pelo de gato francés**

La función del pelo de gato francés se activa desplazando el gatillo en la dirección hacia adelante (dib. 7). Por motivos de seguridad monte el pelo solamente después de cargar el arma e inmediatamente antes del disparo. No cargue el arma con el pelo montado! Si ha montado el pelo y ya no hay el motivo para disparar, apunte hacia un espacio seguro, coloque el seguro a la posición de seguridad y presionando el gatillo afloje el pelo. Después descargue el rifle de la manera arriba indicada.

### **Ajuste de miras**

La corrección de altura de la mira se realiza mediante dos tornillos delanteros (dib. 8). La corrección lateral del alza se efectúa por medio de dos tornillos colocados en la placa del alza (dib. 9).

Notas: Es posible girar el alza por 180° de tal manera que la placa del alza sea inclinada en o contra la dirección del tiro. En el caso de que necesita cambiar la mira se recomienda ampliar el protector de la mira un poco antes de quitarlo para evitar daño al base de mira.

### **Mira óptica**

Es conveniente entregar el montaje de la mira óptica y los disparos de ajuste de la carabina a un taller especializado.

## INSTRUCCIONES DE MANTENIMIENTO

### Desmontaje del arma para la limpieza

1. Abra el cargador fijo y retire los cartuchos; en la versión con cargador extraíble presione el trinquete del cargador y retire el cargador extraíble.
2. Abra el cerrojo y después de presionar el trinquete de cerrojo (dib. 10) sáquelo del arma. Es posible utilizar el borde de un cartucho para presionar el trinquete.
3. Compruebe el ajuste de los tornillos de unión de la culata (pos. 66 y 67) y, eventualmente, ajústelos con una presión de 8,5 Nm, o en el caso del modelo Eclipse con el armazón de polímero del cargador fijo (pos. 65) ajuste con el par torsor de 7 Nm.

Este tipo de desmontaje es suficiente para un mantenimiento rutinario. Después de disparar una mayor cantidad de cartuchos desmonte el arma y encargue la limpieza del cerrojo a un taller especializado.

### Desmontaje del cerrojo

¡ANTES DEL DESMONTAJE DEL CERROJO VERIFIQUE QUE LA RECÁMARA SE ENCUENTRE VACÍA!

Quite la cerradura del arma de la manera antes descrita. Afloje el mecanismo de percusión girando el cierre en 90° contra el sentido de las manecillas del reloj (dib. 11), en el caso de la versión para zurdos gire con el cierre en 90° en el sentido contrario. Saque el perno de la manilla del cerrojo, quite la manilla y después retire también el percutor completo.

### ATENCIÓN:

No desmonte ningunas otras piezas. Si cree que el arma requiere de un ajuste o una reparación entréguela a un taller especializado!

### **Limpieza de la carabina**

Limpie la carabina

- Después de cada uso
- Siempre después que entre en contacto con humedad
- Lo antes posible después del disparo
- Por lo menos una vez al año en climas templados
- En condiciones climáticas exigentes por lo menos una vez al mes

### **Limpieza del ánima y la recámara**

En caso que no se haya disparado de la carabina o si solamente se han disparado pocos cartuchos, limpie el ánima y la recámara con un pedazo de tela seca colocada en un extremo de una baqueta. Cambie la tela tantas veces hasta que el último pedazo quede limpio. Cuando el ánima se encuentre muy sucia, aplique en ella y en la recámara con un cepillo una solución limpiadora, deje actuar aproximadamente 10 minutos (el tiempo de actuación puede variar de acuerdo con el tipo del producto de limpieza) y limpie con un cepillo. Seque el ánima y la recámara con un pedazo de tela limpia y verifique, si se eliminaron todos los residuos. Repita el procedimiento en caso de necesidad. Introduzca la baqueta y el cepillo en el cañón a través de la recámara para evitar que la boca del cañón se dañe.

Pase el cepillo por todo el largo del cañón antes de invertir el movimiento. Si trata de cambiar de dirección con el cepillo dentro del cañón, el cepillo podría atascarse.

### **Limpieza de otras partes de la carabina**

Las otras partes metálicas de la carabina deben limpiarse con una tela seca, un cepillo de dientes viejo, un cepillo de cerdas de bronce o raspadores de madera. Durante la limpieza se puede utilizar también un aceite de preservación o querosene. Sin embargo, no emplee nunca la solución determinada para la limpieza del ánima del cañón! Estas soluciones podrían permanecer en las hendiduras de los componentes y con el tiempo causar corrosión. Compruebe que ningún trozo de tela o alguna cerda de cepillo hayan quedado alojados en alguna parte del arma.

### **Conservación**

Una vez que el ánima del cañón, la recámara y todas las partes de metal accesibles estén limpias y secas, frótelas con un paño remojado en aceite de preservación o aplique dicho aceite mediante un rociador. Retire luego el exceso de aceite. Antes de disparar, seque completamente el ánima del cañón. Si utiliza la carabina en temperaturas bajas, retire el aceite de todas las partes accesibles y aplique un lubricante especial determinado para estas condiciones climáticas. Grasas preservantes espesas, como por ejemplo vaselina, utilice únicamente en el caso de un almacenaje de larga duración en condiciones climáticas extremas. Antes de usar la carabina, retire dicha grasa por completo.

### **Tratamiento de los residuos**

Si son manejados de manera correcta, el material, los envases y los embalajes del producto no tienen ninguna incidencia negativa ni sobre la salud humana ni sobre el medio ambiente. Si necesita deshacerse del producto o su embalaje, los componentes metálicos (acero, metales de color), los plásticos, la madera y el papel-cartón tienen que ser depositados selectivamente en los contenedores destinados para estos materiales.

**ELIMINACIÓN DE FALLAS FUNCIONALES**

Con un uso y mantenimiento correcto hay muy poca probabilidad que se produzca una avería. En caso de producirse tal situación, diríjase con las siguientes instrucciones.

**ATENCIÓN** - En caso que se produzca una falla durante el disparo, aumenta notablemente la probabilidad de un disparo no intencionado. Por esta razón mantenga al pie de letra las instrucciones de seguridad indicadas más arriba. Apunte siempre hacia un espacio seguro, no dé la vuelta a la carabina enfrente suyo ni frente a otras personas, no coloque las manos delante de la boca del cañón!

Falla	Causa probable	Forma de eliminarla
El cartucho no entra en la recámara	El arma o los cartuchos están sucios.	Limpie y seque el arma y los cartuchos, eventualmente lubrique suavemente.
Fallos al disparar	Cartucho utilizado defectuoso. El agujero del percutor se encuentra sucio o se utilizó un lubricante inadecuado bajo temperaturas ambientales bajas.	Prosiga según el punto 20 de las Instrucciones de seguridad. Desmonte y limpie el percutor, eventualmente utilice un lubricante para temperaturas bajas.
El disparo "débil"	El cartucho se activó, pero no hubo pólvora en la cartuchera.	Descargue el arma y compruebe que la bala no ha quedado atascada en el cañón. Un siguiente disparo eventual podría ocasionar serios daños al cañón!
La vaina no ha sido expulsada	La recámara, el extractor o la munición sucios, eventualmente el uso de un lubricante inadecuado para temperaturas bajas.	Limpie y seque el arma, eventualmente lubríquela ligeramente con un lubricante adecuado. Utilice munición nueva y limpia.

Si no es posible, reparar la fallas según las instrucciones arriba descritas, entregue la carabina para una revisión y reparación en un taller especializado.

## LISTA DE COMPONENTES

- |   |   |   |   |
|---|---|---|---|
| 1 Cañón   | 31 Tornillo del mecanismo disparador              | 63 Tornillo de la traba (2x)                  | 70 Tornillo de la resistencia de la palanca de disparador (D) |
| 2 Base de mira                                      | 32 Arandela del tornillo del mecanismo disparador | 64 Arandela del tornillo de la traba (2x)     | 91 Palanca de gatillo   |
| 3 Tornillo de la base de mira (2x)                  | 33 Retén de percutor                              | 65 Caja del almacén                           | 92 Tornillo de ajuste de la palanca de gatillo (E)            |
| 4 Protector de la mira                              | 34 Muelle del retén de percutor                   | 66 Tornillo de unión delantero                | 93 Resorte de la resistencia de la palanca de disparador      |
| 5 Mira  | 35 Tope del retén de percutor                     | 67 Tornillo de unión trasero                  | 94 Tornillo de la marcha en vacío del gatillo (F)             |
| 6 Perno de la mira                                  | 36 Trabadador del seguro                          | 68 Aportador                                  | 95 Tornillo de la caída del gatillo (G)                       |
| 7 Fibra óptica                                      | 37 Polea  | 69 Muelle del aportador                       | 96 Resorte de cargador  |
| 8 Tornillo de ajuste de la mira A                   | 38 Perno de la polea                              | 70 Cubierta del almacén                       | 97 Camisa de cargador   |
| 9 Tornillo de ajuste de la mira B                   | 39 Perno del trabador del seguro                  | 71 Fondo del almacén                          | 98 Fondo de cargador  |
| 10 Base de alza                                     | 40 Cerradura                                      | 72 Perno del fondo del almacén                | 99 Resorte de la resistencia del gatillo                      |
| 11 Tornillo de la base de alza (2x)                 | 41 Extractor                                      | 73 Trabadador del fondo del almacén           | 100 Sujetador del gatillo                                     |
| 12 Placa de alza                                    | 42 Perno de extractor                             | 74 Muelle del trabador del fondo del cargador | 101 Palanca del pelo de gato                                  |
| 13 Tornillo de ajuste del alza (2x)                 | 43 Muelle de extractor                            | 75 Inserción de la culata                     | 102 Palanca de disparo  |
| 14 Recibidor  | 44 Eyector  | 76 Marco del cargador                         | 103 Gatillo   |
| 15 Seguro   | 45 Perno de eyector                               | 77 Retén del cargador                         | 104 Resorte del gatillo                                       |
| 16 Tope del seguro                                  | 46 Muelle de eyector                              | 78 Compensador                                | 105 Seguro de brida (2x)                                      |
| 17 Trinquete de cerrojo                             | 47 Manilla de la ceradura                         | 79 Muelle del retén de cargador               | 106 Perno de la palanca del pelo de gato                      |
| 18 Muelle del trinquete de cerrojo                  | 48 Bola de la manilla de la cerradura             | 80 Pasador del muelle del retén de cargador   | 107 Resorte de la palanca del pelo de gato                    |
| 19 Perno del trinquete de cerrojo (2x)              | 49 Perno de la manilla de la cerradura            | 81 Alimentador                                | 108 Tornillo de ajuste del pelo de gato (H)                   |
| 20 Disparador                                       | 50 Percutor                                       | 82 Camisa de cargador                         | 109 Tornillo de la resistencia del gatillo (I)                |
| 21 Tornillo de la resistencia del disparador (A)    | 51 Muelle del percutor                            | 83 Resorte de cargador                        | 110 Tuerca del tornillo de la caída del gatillo               |
| 22 Perno del disparador                             | 52 Apoyo del muelle del percutor                  | 84 Trinquete del fondo de cargador            | 111 Tornillo de la longitud del recorrido del disparador (J)  |
| 23 Hilo de nilón Ø1,6mm                             | 53 Anilla (2x)                                    | 85 Fondo de cargador                          | 112 Listón Weaver   |
| 24 Sujetador del disparador                         | 54 Tuerca del percutor                            | 86 Sujetador del gatillo                      | 113 Tornillo del listón Weaver (2x)                           |
| 25 Perno (3x)                                       | 55 Perno de la tuerca del percutor                | 87 Gatillo                                    |   |
| 26 Tornillo de la cribadura de gatillo (B)          | 56 Cierra   | 88 Perno de gatillo                           |   |
| 27 Muelle del tornillo de la resistencia de gatillo | 57 Cubierta de la cierra                          | 89 Muelle de gatillo                          |   |
| 28 Tuerca del tornillo de ajuste                    | 58 Culata   |   |   |
| 29 Tornillo de ajuste del gatillo (C)               | 59 Cantonera                                      |   |   |
| 30 Hilo de nilón Ø2mm                               | 60 Clavo de la cantonera (2x)                     |   |   |
|   | 61 Sujetador de la anilla (2x)                    |   |   |
|   | 62 Traba de la correa (2x)                        |   |   |

**LISTA DE ILUSTRACIONES**

1. Terminología de la partes básicas
2. Apertura del cargador fijo
3. Seguro en la posición de seguridad
4. Vista del advertidor montado
5. Ajuste del gatillo con una resistencia
6. Ajuste del gatillo con dos resistencias
7. Ajuste del mecanismo de disparo con pelo de gato
8. Detalle de tornillos de ajuste del guion
9. Detalle de tornillos de ajuste del alza
10. Apretamiento del trinquete de cerrojo
11. Desmontaje del cerrojo

El productor se reserva el derecho de realizar cambios que considere indispensables para el mejoramiento de sus modelos o para satisfacer los requerimientos de carácter productivo o comercial.



**Dříve než začnete zacházet se zbraní, seznamte se s tímto návodem a zvláště s následujícími bezpečnostními pokyny.**

Nesprávné a nedbalé zacházení se zbraní může způsobit neúmyslný výstřel, který může mít za následek zranění, smrt nebo škodu na majetku. Stejně následky mohou mít svévolné úpravy, koroze nebo používání nepředepsaných nebo poškozených nábojů. V těchto případech nemůže výrobce nést za vzniklé následky odpovědnost.

Předtím, než byla tato zbraň dána do prodeje, byla přezkoušena, pečlivě prohlédnuta a zabalena. CZ nemůže kontrolovat zacházení se zbraní potom, co opustí továrnu. Proto si při koupi této zbraně ověřte, že je nenabitá a nepoškozená.

Tato příručka s instrukcemi by měla být vždy ke zbraní přiložena a to i v případě, že ji někomu půjčíte nebo prodáte.

### OBSAH

BEZPEČNOSTNÍ POKYNY	33	POKYNY PRO ÚDRŽBU	41
NÁZVOSLOVÍ A POPIS ZBRANĚ	35	Rozborka pro čištění	41
POKYNY PRO POUŽÍVÁNÍ	38	Demontáž závěru	41
Střelivo	38	Čištění zbraně	41
Nabíjení zbraně	38	Čištění vývrtu a nábojové komory	42
Vybíjení zbraně	39	Čištění ostatních částí zbraně	42
Zajištění zbraně	39	Konzervace	42
Funkce výstražníku	39	Nakládání s odpady	42
Seřízení spoušťového mechanismu	39	ODSTRAŇOVÁNÍ FUNKČNÍCH ZÁVAD	43
Funkce napínáčku	40	SEZNAM SOUČÁSTEK	44
Nastavení mířidel	40	SEZNAM OBRÁZKŮ	45
Optický zaměřovač	40		

## BEZPEČNOSTNÍ POKYNY

Dbejte dodržování bezpečnostních pokynů pro bezpečnost vaši a bezpečnost ostatních.

1. Vždy zacházejte se svou zbraní, jako kdyby byla nabitá.
2. Nikdy svou zbraní nemiřte na cokoli, na co nemíníte střílet.
3. Nikomu nevěřte, že zbraň není nabitá.
4. Než zbraň odložíte nebo předáte jiné osobě, vždy se přesvědčte, že není nabitá.
5. Zbraň přechovávejte nenabitou, se spuštěným bicím mechanismem.
6. Nikdy nepoužívejte zbraň k jinému účelu než ke střelbě.
7. Nikdy nenechávejte zbraň nataženou a nabitou bez dozoru.
8. Před nabitím zbraně se přesvědčte, že vývrt hlavně, komora a závěr jsou čisté a bez překážek. Zbraň znečištěnou od střelby co nejdříve vyčistěte.
9. Nestřílejte ze zbraně, pokud si nejste jisti střelivem, které používáte. Nepoužívejte neoznačené nebo ručně přebíjené střelivo neznámého původu, střelivo s naprasklou, deformovanou nebo promáčknutou nábojnicí nebo střelou vykazující známky poškození. Přebíjení je odborná činnost a nesprávně (chybně) přebíjené střelivo může být extrémně nebezpečné. Výsledkem může být těžké poškození/zničení zbraně a vážná zranění či smrt střelce i dalších osob. Používejte pouze čisté, suché, originální továrně vyrobené střelivo vysoké kvality v dobrém stavu, příslušné pro ráži vaší zbraně.
10. Před střelbou nebo během střelby nepijte alkoholické nápoje a neužívejte drogy.
11. Pokud to okolnosti umožní, používejte při střelbě chrániče sluchu a ochranné střelecké brýle.
12. Když je zbraň nabitá, mějte pojistku v poloze zajištěno až do okamžiku, kdy jste připraveni ke střelbě. Při odjišťování mířte do bezpečného prostoru.

13. Když je spoušťový systém s napínáčkem v poloze napnuto, zacházejte se zbraní velmi pečlivě, neboť ořesy při manipulaci se zbraní by mohly způsobit nežádoucí výstřel.
14. Neblokujte výhozná okénka a dbejte na to, aby nikdo nepřekážel ve směru vyhozené nábojnice.
15. Nemačkejte spoušť a nedávejte prsty do chránítka spouště, pokud nemíříte na cíl a nejste připraveni střílet.
16. Než stisknete spoušť, ještě jednou si zkontrolujte váš cíl a prostor za ním. Střela může letět skrze nebo mimo váš cíl ještě několik stovek metrů.
17. Nikdy nestřílejte na tvrdý povrch jako je kámen nebo na vodní hladinu.
18. Nestřílejte ze zbraně poblíž zvířete, pokud není na tento hluk vycvičeno.
19. Pokud držíte zbraň, nikdy se neoddávejte "hrubým žertům".
20. Selhání výstřelu: V případě, že nedojde k výstřelu, držte zbraň namířenou na cíl nebo do bezpečného prostoru a počkejte třicet sekund. Pokud nastal zpožděný zápal, náboj do třiceti sekund vystřelí. Jestliže k výstřelu nedojde, vyjměte náboj z hlavně a prohlédněte jej. Je-li otisk od úderníku na náboji slabý nebo žádný, nechte před další střelbou zbraň prohlédnout kvalifikovaným zbrojířem.
21. Před čistěním, skladováním nebo dopravou se vždy přesvědčte, že vaše zbraň není nabita. Nevystřelené střelivo vyjměte ze zbraně a bezpečně uložte v souladu se zákonnými předpisy.
22. Zbraň a střelivo přechovávejte v odděleném a uzamčeném prostoru mimo dosah a dohled dětí a nepovolaných osob. Vždy chraňte střelivo před zdrojem tepla a otevřeným ohněm.
23. Nikdy neupravujte součástky zbraně. Můžete tak závažným způsobem narušit její správnou funkci nebo bezpečnost.
24. Pamatujte, že koroze, použití vadných nábojů, pád zbraně na tvrdý povrch nebo jiné "hrubé zacházení" může způsobit poškození, které nemusí být na první pohled patrné. Pokud k něčemu takovému dojde, nechte zbraň prověřit u odborníka.

## NÁZVOSLOVÍ A POPIS ZBRANĚ

Názvy základních částí zbraně používané v tomto návodu jsou uvedeny na obrázku 1 na vnitřní straně obálky. Názvy všech součástí zbraně jsou uvedeny v kapitole *Seznam součástí*.

Kulovnice CZ 557 je opakovací puška se závěrem typu Remington. Spoušťový mechanismus je v provedení bez napínáčku, s napínáčkem nebo s dvouodporovou spouští. Vlastní spoušť má regulaci odporu a délky chodu. Pojistka zajišťuje zbraň proti odpálení a dle provedení může současně blokovat kliku závěru proti otevření. K upevnění držáku optického zaměřovače slouží drážky v horní části lůžka závěru. Vyrábí se v mnoha provedeních. Mezi charakteristické vlastnosti všech provedení patří:

- široký sortiment ráží umožňující optimální volbu ráže podle podmínek používání kulovnice
- dobré vyvážení zbraně zaručuje pohotové a snadné zamiřování
- snadná montáž zaměřovacího dalekohledu
- snadno ovladatelné a dobře přístupné ovladače, vyráběné i v levorukém provedení
- kompletně seřiditelný spoušťový mechanismus
- signalizace napnutí bicího mechanismu
- snadná demontáž pro čištění a běžnou údržbu, proveditelná bez jakéhokoliv nářadí
- vysoká přesnost střelby
- vysoká životnost
- vysoká funkční spolehlivost za všech podmínek používání i při použití střeliva od různých výrobců s různými typy střel
- možnost upevnění kompenzátoru nebo tlumiče (pouze na zvláštní požadavek do teritorií, kde je to legislativně povoleno)

### **CZ 557 Lux, CZ 557 Lux II**

Pažba z kvalitního ořechového dřeva s lícnicí bavorského typu, s povrchovou úpravou olejování, opatřená rybinami a pryžovou botkou. Umožňuje zamíření jak při střelbě přes otevřená mířidla, tak s optickým zaměřovačem. Výškově stavitelná muška je opatřena světlovodným vláknem. Kompletně otočitelné hledí je stranově stavitelné. Má plovoucí hlaveň. Provedení Lux II se liší delší hlavní, napínáčkovým spouštěčovým mechanismem a pojistkou blokující kliku závěru při jejím použití.

### **CZ 557 Sporter**

Pažba z bukového nebo ořechového dřeva bez lícnice, opatřená rybinami a pryžovou botkou. Je určena výhradně pro střelbu s optickým zaměřovačem. Má plovoucí hlaveň.

### **CZ 557 Synthetic**

Plastová pažba s povrchovou úpravou Soft-Touch opatřená zdrsněním v úchopových oblastech a pryžovou botkou. Variantně lze dodávat s pevnými mířidly nebo bez mířidel.

### **CZ 557 Predator**

Plastová pažba s povrchovou úpravou Soft-Touch s kamufláží Real Tree opatřená zdrsněním v úchopových oblastech a pryžovou botkou. Variantně lze dodávat s pevnými mířidly nebo bez mířidel.

### **CZ 557 Carbine**

Pažba z ořechového dřeva s lícnicí, opatřena rybinami a pryžovou botkou. Umožňuje zamíření při střelbě jak přes otevřená mířidla, tak přes optický zaměřovač. Výškově stavitelná muška je opatřena světlovodným vláknem. Kompletně otočitelné hledí je stranově stavitelné. Má plovoucí hlaveň.

### **CZ 557 Range Rifle**

Pažba z bukového dřeva bez lícnice, opatřena rybinami a pryžovou botkou. Umožňuje zamíření při střelbě jak přes otevřená mířidla, tak přes optický zaměřovač. Výškově stavitelná muška je opatřena světlovodným vláknem. Kompletně otočitelné hledí je stranově stavitelné. Má plovoucí hlaveň, spouštěčový mechanismus s dvojitým odporem, pojistku s blokací závěru.

**CZ 557 Varmint**

Pažba z ořechového dřeva bez lícnice, vysokým hřbetem, opatřena rybinami a pryžovou botkou. Má plovoucí těžkou sportovní hlaveň. Je určena výhradně pro střelbu s optickým zaměřovačem.

**CZ 557 Varmint Synthetic**

Plastová pažba s povrchovou úpravou Soft-Touch opatřená zdrsněním v úchopových oblastech s pryžovou botkou a stavitelnou lícnicí. Má plovoucí těžkou sportovní hlaveň. Je určena výhradně pro střelbu s optickým zaměřovačem.

**CZ 557 Varmint Laminated**

Jednodílná lakovaná pažba z laminovaného dřeva s pistolovou rukojetí a zvýšeným hřbetem pažby s lícnicí a opatřená pryžovou botkou. Má plovoucí těžkou sportovní hlaveň. Je určena výhradně pro střelbu s optickým zaměřovačem.

**CZ 557 American**

Pažba z ořechového dřeva s lícnicí, opatřena rybinami a pryžovou botkou. Má plovoucí hlaveň. Je určena výhradně pro střelbu s optickým zaměřovačem. Plastová pažba s povrchovou úpravou Soft-Touch opatřená trigatti rozhraním pro poutka řemene, zdrsněním v úchopových oblastech a pryžovou botkou. Součástí modelu je plastový rám schránky, dno schránky a podavač. Hlaveň je plovoucí. Variantně lze dodávat s pevnými mířidly nebo bez mířidel.

**CZ 557 Eclipse**

Plastová pažba s povrchovou úpravou Soft-Touch opatřená trigatti rozhraním pro poutka řemene, zdrsněním v úchopových oblastech a pryžovou botkou. Součástí modelu je plastový rám schránky, dno schránky a podavač. Hlaveň je plovoucí. Variantně lze dodávat s pevnými mířidly nebo bez mířidel.

## POKYNY PRO POUŽÍVÁNÍ

### Střelivo

Vždy používejte střelivo dovoleného výrobního provedení, které splňuje normy stanovené pro výrobce střeliva a je schváleno organizací CIP (Mezinárodní organizace pro zkoušení ručních palných zbraní a střeliva), případně SAAMI (americká norma pro zbraně a střelivo). Použití jiných nábojů může způsobit poškození zbraně nebo zranění střelce. Při použití továrního střeliva se standardní rychlostí je používání zbraní České zbrojovky a.s. bezpečné. Zkontrolujte střelivo, které hodláte použít, abyste měli jistotu, že odpovídá ráži vaší zbraně. Komerčně vyráběné střelivo má u každého náboje označení ráže jasně vyznačeno na dně, případně okolo dna nábojnice. Výrobce nedoporučuje ze zbraně střílet ve zvýšené míře naprázdno (bez nábojů). Pro tzv. "suchý trénink" je vhodné používat vybíjecí náboje, které jsou k tomuto používání uzpůsobeny.

### Nabíjení zbraně

**PŘI NABÍJENÍ MĚJTE ZBRANĚ VŽDY ZAMÍŘENOU DO BEZPEČNÉHO PROSTORU!**

#### Schránkové provedení

Otevřete závěr otočením kliky směrem nahoru a odsunutím dozadu až na doraz. Položte náboj na podavač a zatlačte jej do schránky. Po uvolnění zůstane náboj zachycen o boční stěnu schránky. Další náboj umístěte na předcházející a zasuňte stejným způsobem. Po naplnění schránky palcem mírně zatlačte na poslední nabitý náboj, čímž dojde k rovnoměrnému uspořádání celého sloupce nábojů. Poté přesuňte závěr plynulým pohybem dopředu a otočením kliky směrem dolů jej zamkněte. Přitom se do komory zasune náboj a natáhne se bicí mechanismus. Nyní je kulovnice připravena ke střelbě. Pokud nehodláte bezprostředně střílet, zajistěte ji způsobem popsaným dále v části *Zajištění zbraně*.

#### Zásobníkové provedení

Otevřete závěr otočením kliky směrem nahoru a odsunutím dozadu až na doraz. Vyměňte zásobník. Položte náboj na podavač a zatlačte jej do zásobníku až náboj zaskočí za hubici zásobníku. Další náboj umístěte na předcházející a zasuňte stejným způsobem. Po naplnění zásobníku jej vložte do zbraně a přesuňte závěr plynulým pohybem dopředu a otočením kliky směrem dolů jej zamkněte. Přitom se do komory zasune náboj a natáhne se bicí mechanismus. Nyní je kulovnice připravena ke střelbě. Pokud nehodláte bezprostředně střílet, zajistěte ji způsobem popsaným dále v části *Zajištění zbraně*.

## Vybíjení zbraně

### ZAMIŘTE DO BEZPEČNÉHO PROSTORU!

- stlačte západku dna schránky (obr. 2), otevřete nábojovou schránku a dlaní zachyťte uvolněné náboje, respektive stlačte zádržku zásobníku a vyjměte zásobník
- otevřete závěr a přesvědčte se, že náboj z komory byl vytažen a vyhozen
- zavřete závěr
- je-li pojistka v zajištěné poloze, odjistěte pojistku a stiskněte spoušť (rána jistoty)

## Zajištění zbraně

Přesuňte pojistku směrem dozadu do zadní krajní polohy (obr. 3). Tím vyřadíte z funkce spoušťový mechanismus, takže není možné odpálit. Pojistka se vyrábí ve dvou provedeních, buďto s blokací závěru anebo bez blokace závěru. U provedení s blokací závěru nelze po zajištění závěr otevřít. Provedení bez blokace závěru umožňuje otevření a bezpečnou manipulaci se závěrem.

## Funkce výstražníku

Výstražník je umístěn na zadním čele závěru. Pokud je bicí mechanismus napnutý, výstražník vyčnívá z uzávěrky a je viditelná jeho červená část (obr. 4). Přechínání je zjištělné zrakem i hmatem.

## Seřízení spoušťového mechanismu

### Spoušťový mechanismus s jednoodporovou spouští

U spoušťového mechanismu je možné nastavit odpor spouště a délku chodu spouště před a po odpálení. Seřízení odporu spouště a dráhy po odpálení (obr. 5) se provádí po sejmutí pažby stavěcími šrouby A (odpor) a B (dráha po odpálení). Seřízení délky chodu před opálením lze nastavit šroubem C umístěným ve spoušti (obr. 5).

### Spoušťový mechanismus s dvouodporovou spouští

U spoušťového mechanismu je možné nastavit druhý odpor spouště pomocí šroubu odporu spoušťové páky D (obr. 6). Seřízení odporu spouště se provádí po sejmutí pažby. Délku volného chodu spouště je možné nastavit pomocí šroubu F umístěného ve spoušti. Seřízení délky chodu odpalu je možné provést pomocí šroubu E.



### Spoušťový mechanismus s napínáčkem

U spoušťového mechanismu je možné využít funkce napínáčku, který výrazně snižuje odpor spouště při odpalu. Délku chodu napínáčku lze nastavit šroubem H před spouští. Seřízení odporu spouště, délky chodu spouště a propadu spouště se provádí po sejmutí pažby. Odpor spouště se nastavuje šroubem I, délku chodu spouště spouště šroubem J a propad spouště šroubem G (obr. 7).

Z bezpečnostních důvodů nenastavujte spoušťový mechanismus na příliš nízký odpor a krátké chody před odpálením, neboť při nevhodné manipulaci by mohlo dojít k nežádoucímu výstřelu. Bezpečnost seřízení spoušťového mechanismu ověřte s nenabitou zbraní opakovaným otevřením a zavřením závěru kombinovaným se zajištěním a odjištěním pojistky. Přitom nesmí dojít k samovolnému odpálení.

**Poznámka:** Napínáček je možné ze zbraně demontovat, aniž by došlo k ovlivnění funkce nebo seřízení vlastní spouště.

### **Funkce napínáčku**

Funkci napínáčku aktivujete tažením spouště směrem dopředu (obr. 7). Z bezpečnostních důvodů jej napínejte až po nabití zbraně těsně před střelbou. Nenoste zbraň s napnutým napínáčkem! Jestliže jste napnuli napínáček a pominul důvod ke střelbě, zamiřte do bezpečného prostoru, zajistěte pojistku a stisknutím spouště napínáček uvolněte. Potom vybijte kulovnici výše popsáním způsobem.

### **Nastavení mířidel**

Výškovou korekci mušky je možné provést pomocí dvojice předních šroubů (obr. 8). Stranová korekce hledí se provádí dvojicí šroubů umístěných v plátku hledí (obr. 9).

### **Poznámky:**

Kompletní sestavu hledí je možné otočit o 180° tak, že plátek hledí bude nakloněn ve směru nebo proti směru střelby. V případě výměny mušky je vhodné při demontáži chránítka mušky provést jeho mírné roztažení za pomoci kleští, čímž se předejde poškození základny mušky.

### **Optický zaměřovač**

Montáž optického zaměřovače a nastřelení zbraně je vhodné svěřit odborné dílně.

## POKYNY PRO ÚDRŽBU

### Rozborka pro čištění

1. Otevřete schránku a vyjměte z ní náboje, respektive stlačte zádržku zásobníku a vyjměte zásobník.
2. Otevřete závěr a po stlačení zarážky závěru (obr. 10) jej vytáhněte ze zbraně. Ke stlačení zarážky závěru lze využít např. okraj nábojnice.
3. Zkontrolujte dotažení spojovacích šroubů pažby (poz. 66 a 67) a případně dotáhněte utahovacím momentem 8,5 Nm, v případě modelu Eclipse s plastovým rámem schránky (poz. 65) dotáhněte utahovacím momentem 7 Nm.

Potud provedená rozborka pro běžnou údržbu stačí. Po vystřelení velkého počtu nábojů předejte zbraň odborné dílně k demontáži a vyčištění závěru.

### Demontáž závěru

**PŘED DEMONTÁŽÍ ZÁVĚRU SE PŘESVĚDČTE, ŽE NÁBOJOVÁ KOMORA JE PRÁZDNÁ!**

Vyjměte závěr ze zbraně dříve popsaným způsobem. Uvolněte bicí mechanismus otočením uzávěrky o 90° proti směru otáčení hodinových ručiček (obr. 11) , v případě levorukého provedení, otočte uzávěrku o 90° v opačném směru. Vyklepněte kolík kliky závěru, vyjměte kliku a následně i sestavu úderníku.

**UPOZORNĚNÍ:** Žádné další díly nedemontujte. Pokud se domníváte, že zbraň vyžaduje seřízení nebo opravu, svěťte ji odborné dílně!

### Čištění zbraně

Čistěte zbraň

- po každém použití
- po každém navlhnutí
- co nejdříve po střelbě
- v mírných klimatických podmínkách nejméně jednou za rok
- v náročných klimatických podmínkách nejméně jednou měsíčně

### Čistění vývrtné a nábojové komory

Pokud nebylo ze zbraně stříleno nebo bylo vystřeleno jen několik nábojů, vytírejte vývrt a nábojovou komoru suchým hadříkem navlečeným do vytěráku. Hadříky vyměňujte tak dlouho, až bude poslední kousek čistý. Pokud je vývrt silně znečištěn, naneste do něj a do komory kartáčkem čisticí roztok, nechte asi 10 minut působit (doba působení se může u různých čisticích prostředků lišit) a vyčistěte kartáčkem. Vysušte vývrt a komoru čistým hadříkem a zkontrolujte, zda byly všechny spaliny odstraněny. V případě potřeby postup opakujte.

Vytěrák i kartáček zasouvajte do hlavně od komory, abyste nepoškodili ústí hlavně. Kartáček protlačujte celou hlavní, než změňte směr pohybu. Pokud byste změnilí směr pohybu s kartáčkem v hlavní, mohl by se kartáček v hlavní vzpříčit.

### Čistění ostatních částí zbraně

Ostatní kovové části zbraně čistěte suchým hadříkem, starým kartáčkem na zuby, mosazným kartáčkem nebo dřevěnou škrabkou. Při čišění můžete použít i konzervační olej nebo petrolej. Nikdy však nepoužívejte roztok určený pro čišění vývrtné! Ten by mohl zůstat ve spárách mezi součástkami a po delší době způsobit korozi. Přesvědčte se, že zbytky hadříku nebo štětiny z kartáčku neuvízly v žádné části zbraně.

### Konzervace

Vývrt, nábojovou komoru a všechny přístupné kovové součásti po vyčistění do sucha potřete hadříkem zvlhčeným v konzervačním oleji nebo použijte olej ve spreji. Přebytečný olej setřete.

Před střelbou vytřete vývrt do sucha. Používáte-li zbraň při nízkých teplotách, odstraňte olej ze všech přístupných částí nebo použijte speciální mazadlo určené pro tyto podmínky. Husté konzervační prostředky jako např. vazelínu používejte jen pro dlouhodobé skladování v náročných klimatických podmínkách a před použitím ji důkladně odstraňte ze všech částí zbraně.

### Nakládání s odpady

Materiály výrobku a obalu nemají při správném používání žádné negativní dopady na zdraví člověka ani životní prostředí. V případě nutnosti odstranění výrobku nebo jeho obalu platí, že kovové součásti (ocel a barevné kovy), plasty, dřevo, papír a lepenka se ukládají odděleně do sběrných nádob k tomu určených.

## ODSTRAŇOVÁNÍ FUNKČNÍCH ZÁVAD

Při správném používání a údržbě je pravděpodobnost vzniku závad minimální. Pokud tato situace přesto nastane, řiďte se následujícími pokyny.

**POZOR** - pokud vznikne při střelbě závada funkce, mimořádně se zvyšuje pravděpodobnost nechtěného výstřelu. Proto při odstraňování závady důsledně dodržujte dříve uvedené bezpečnostní pokyny. Mířte neustále do bezpečného prostoru, neotáčejte zbraň proti sobě ani proti jiným osobám, nedávejte ruce před ústí hlavně!

Závada	Pravděpodobná příčina	Způsob odstranění
Nepodání náboje do komory	Zbraň nebo náboje jsou znečištěny.	Vyčistěte zbraň a náboje do sucha, případně je lehce namažte.
Selhač	Použitý náboj je vadný. Znečištěný otvor pro úderník nebo nevhodné mazadlo při nízké okolní teplotě.	Postupujte podle bodu 20 bezpečnostních pokynů. Demontujte a vyčistěte úderník, případně použijte mazadlo pro nízké teploty.
"Slabá rána"	Náboj byl aktivován, ale v nábojnici nebyl prach nebo byl navlhlý.	Vybijte zbraň a přesvědčte se, zda střela neuvízla v hlavní. Případný další výstřel by mohl vážně poškodit hlaveň!
Nevyhození	Znečištěná nábojová komora, vytahovač nebo náboje, případně použití nevhodného mazadla při nízké teplotě.	Vyčistěte zbraň do sucha, případně lehce namažte vhodným mazadlem. Používejte nové, čisté střelivo.

Pokud nelze závadu odstranit žádným z výše uvedených způsobů, svěťte zbraň k prohlídce a opravě odborné dílně.

## SEZNAM SOUČÁSTEK

1 Hlaveň	26 Šroub propadu spouště (B)	58 Pažba	89 Pružina spouště
2 Základna mušky	27 Pružina šroubu odporu spouště	59 Botka	90 Šroub odporu spouštěvé páky (D)
3 Šroub základny mušky (2x)	28 Matice stavěcího šroubu	60 Vrut botky (2x)	91 Spouštěvá páka
4 Chránítko mušky	29 Stavěcí šroub spouště (C)	61 Držák poutka (2x)	92 Stavěcí šroub spouštěvé páky (E)
5 Muška	30 Silonový vlasec $\varnothing 2\text{mm}$	62 Poutko řemene (2x)	93 Pružina odporu spouštěvé páky
6 Kolík mušky	31 Šroub spouštěvé sestavy	63 Šroub poutka (2x)	94 Šroub volného chodu spouště (F)
7 Světlovodné vlákno	32 Podložka šroubu spouštěvé sestavy	64 Podložka šroubu poutka (2x)	95 Šroub propadu spouště (G)
8 Stavěcí šroub mušky A	33 Záchyt úderníku	65 Rám schránky	96 Pružina zásobníku
9 Stavěcí šroub mušky B	34 Pružina záchytu úderníku	66 Přední spojovací šroub	97 Plášť zásobníku
10 Základna hledí	35 Doraz záchytu úderníku	67 Zadní spojovací šroub	98 Dno zásobníku
11 Šroub základny hledí (2x)	36 Západka pojistky	68 Podavač	99 Pružina odporu spouště
12 Plátek hledí	37 Kladka	69 Pružina podavače	100 Držák spouště
13 Stavěcí šroub hledí (2x)	38 Kolík kladky	70 Plášť schránky	101 Páka napínáčku
14 Lůžko	39 Čep západky pojistky	71 Dno schránky	102 Spuštěvá páka
15 Pojistka	40 Tělo závěru	72 Čep dna schránky	103 Spoušť
16 Doraz pojistky	41 Vytahovač	73 Západka dna schránky	104 Pružina spouště
17 Zarážka závěru	42 Kolík vyťahovače	74 Pružina západky dna schránky	105 Pojistka třmenová (2x)
18 Pružina zarážky závěru	43 Pružina vyťahovače	75 Vložka pažby	106 Čep páky napínáčku
19 Čep zarážky závěru (2x)	44 Vyhazovač	76 Rám zásobníku	107 Pružina páky napínáčku
20 Spoušť	45 Kolík vyhazovače	77 Zádržka zásobníku	108 Stavěcí šroub napínáčku (H)
21 Šroub odporu spouště (A)	46 Pružina vyhazovače	78 Kompenzátor	109 Šroub odporu spouště (I)
22 Čep spouště	47 Klika závěru	79 Pružina zádržky zásobníku	110 Matice šroubu propadu spouště
23 Silonový vlasec $\varnothing 1,6\text{mm}$	48 Koule kliky závěru	80 Kolik pružiny zádržky zásobníku	111 Šroub délky chodu spouště (J)
24 Držák spouště	49 Kolík kliky závěru	81 Podavač	112 Lišta Weaver
25 Čep (3x)	50 Úderník	82 Plášť zásobníku	113 Šroub lišty Weaver (2x)
	51 Pružina úderníku	83 Pružina zásobníku	
	52 Opěrka pružiny úderníku	84 Západka dna zásobníku	
	53 Poutko (2x)	85 Dno zásobníku	
	54 Matice úderníku	86 Držák spouště	
	55 Kolík matice úderníku	87 Spoušť	
	56 Uzávěrka	88 Čep spouště	
	57 Krytka uzávěrky		

### SEZNAM OBRÁZKŮ

1. Názvosloví hlavních dílů
2. Otevírání nábojové schránky
3. Pojistka v zajištěné poloze
4. Pohled na napnutý výstražník
5. Seřizování jednodporové spouště
6. Seřizování dvouodporové spouště
7. Seřizování spoušťového mechanismu s napínáčkem
8. Detail stavěcích šroubů mušky
9. Detail stavěcích šroubů hledí
10. Stlačení zarážky závěru
11. Demontáž závěru

Výrobce si ponechává právo provést změny, které považuje za nezbytné pro vylepšení svých modelů, nebo aby vyhověl požadavkům výrobní nebo obchodní povahy.

**Bevor Sie anfangen mit der Waffe umzugehen, machen Sie sich bitte mit dieser Anleitung und besonders mit folgenden Sicherheitsanweisungen vertraut.**

Falscher oder nachlässiger Umgang mit der Waffe kann einen unbeabsichtigten Schuss verursachen, der Verletzung, Tod oder Sachschaden zur Folge haben kann. Die gleichen Folgen können eigenmächtige Änderungen, Korrosion oder Gebrauch von nicht vorschriftsmäßiger bzw. beschädigter Munition haben. In diesen Fällen kann der Hersteller keine Verantwortung für entstehende Folgen tragen.

Bevor die Waffe in den Verkauf gebracht wurde, wurde sie überprüft, sorgfältig durchgesehen und verpackt. Nachdem die Waffe das Herstellerwerk verlassen hat, kann CZ den weiteren Umgang mit ihr nicht kontrollieren. Überprüfen Sie deshalb beim Kauf der Waffe, dass sie weder geladen noch beschädigt ist.

Dieses Handbuch mit Anweisungen sollte der Waffe immer beigelegt sein, und zwar auch in dem Fall, dass Sie die Waffe jemandem leihen oder verkaufen.

## INHALTSVERZEICHNIS

SICHERHEITSBESTIMMUNGEN	47	PFLEGEANWEISUNG	56
FACHAUSDRÜCKE UND BESCHREIBUNG DER WAFFE		Zerlegen zur Reinigung	56
GEBRAUCHSANWEISUNG		Ausbau des Verschlusses	56
Munition	52	Reinigung der Waffe	57
Laden der Waffe	52	Reinigung der Laufbohrung und des Patronenlagers	57
Entladen der Waffe	53	Reinigung der anderen Waffenteile	58
Sicherung der Waffe	53	Konservierung	58
Funktion des Signalstiftes	53	Abfallentsorgung	58
Einstellen des Abzugsmechanismus	53	VERZEICHNIS DER BESTANDTEILE	59
Funktion des Stechers	54	BEHEBUNG VON FUNKTIONSTÖRUNGEN	60
Einstellen der Visiereinrichtungen	55	VERZEICHNIS DER ABBILDUNGEN	61
Zielfernrohr	55		

**SICHERHEITSBESTIMMUNGEN**

Beachten Sie, zu Ihrer und anderer Personen Sicherheit, folgende Sicherheitsanweisungen.

1. Gehen Sie stets mit Ihrer Waffe so um, als ob sie geladen wäre.
2. Zielen Sie mit Ihrer Waffe nie auf etwas, worauf Sie zu schießen nicht beabsichtigen.
3. Glauben Sie niemandem, dass die Waffe nicht geladen ist.
4. Bevor Sie die Waffe ablegen oder an eine andere Person übergeben, überzeugen Sie sich immer davon, dass sie nicht geladen ist.
5. Bewahren Sie die Waffe ungeladen, mit abgezogenem Schlagmechanismus auf.
6. Verwenden Sie die Waffe nie zu anderen Zwecken als zum Schießen.
7. Lassen Sie gespannte und geladene Waffe nie ohne Aufsicht.
8. Überzeugen Sie sich vor dem Laden der Waffe davon, dass Laufbohrung, Patronenlager und Verschluss sauber und hindernisfrei sind. Reinigen Sie baldmöglichst durch das Schießen verschmutzte Waffe.
9. Nicht mit der Waffe schießen, wenn Sie sich nicht sicher sind, was für Munition Sie benutzen. Keine nicht gekennzeichnete oder wiedergeladene Munition unbekannter Herkunft, Munition mit geplatztter, deformierter oder eingebeulter Hülse oder beschädigte Munition benutzen. Das Wiederladen ist eine spezialisierte Tätigkeit und falsch geladene Munition kann extrem gefährlich sein. Folge können schwere Beschädigung oder die Zerstörung der Waffe und ernste Verletzungen oder Tod des Schützen oder auch weiterer Personen sein. Benutzen Sie nur saubere, trockene, fabrikmäßig hergestellte Originalmunition von hoher Qualität, in einem guten Zustand, die dem Kaliber Ihrer Waffe entspricht.
10. Vermeiden Sie vor oder während des Schießens Genuss von Alkoholgetränken und nehmen keine Drogen ein.
11. Benutzen Sie beim Schießen, soweit es die Umstände erlauben, Gehörschutz und Schutzbrille.
12. Wenn die Waffe geladen und gespannt ist, lassen Sie die Sicherung in der Stellung gesichert bis zu dem Zeitpunkt, an dem Sie schussbereit sind. Zielen Sie beim Entsichern in eine sichere Richtung.



13. Falls der Abzugsmechanismus mit dem Stecher in der gespannten Lage ist, gehen Sie mit der Kugelbüchse sorgfältig um, denn die Erschütterungen bei der Manipulation mit der Waffe einen unbeabsichtigten Schuß auslösen könnten.
14. Blockieren Sie niemals die Auswurföffnung und achten Sie darauf, dass niemand in Auswurfrichtung der Patronenhülse steht.
15. Betätigen Sie nicht den Abzug und stecken Sie Ihre Finger nicht in den Abzugsschutz, sofern Sie auf ein Ziel nicht zielen und zum Schießen nicht bereit sind.
16. Bevor Sie den Abzug betätigen, kontrollieren Sie nochmals Ihr Ziel und den Raum hinter ihm. Das Geschoss kann durch Ihr Ziel hindurch oder auch an ihm vorbei noch einige hundert Meter weiterfliegen.
17. Schießen Sie nie auf eine harte Oberfläche, wie z.B. Stein oder auf Wasseroberfläche.
18. Schießen Sie nicht, wenn sich in der Nähe ein Tier befindet, das auf diesen Lärm nicht dressiert ist.
19. Wenn Sie die Waffe in den Händen halten, lassen Sie alle "groben Scherze" beiseite.
20. Beim Schussversagen: In dem Fall, dass es nicht zum Schuss kommt, halten Sie die Waffe auf das Ziel oder in eine sichere Richtung gerichtet und warten dreißig Sekunden ab. Wenn es zu einer verzögerten Zündung gekommen ist, schießt die Patrone während dreißig Sekunden ab. Falls der Schuss nicht eintritt, nehmen Sie die Patrone aus dem Lauf und kontrollieren sie. Wenn der Abdruck des Zünders an der Patrone schwach oder kein ist, lassen Sie die Waffe von einem Fachmann vor weiterem Schießen überprüfen.
21. Nicht verschossene Munition aus der Waffe nehmen und sicher gemäß gesetzlicher Vorschriften lagern. Überzeugen Sie sich immer vor Reinigen, Lagern, oder Transportieren, dass Ihre Waffe nicht geladen ist.
22. Bewahren Sie Waffe und Munition in einem abgetrennten und verschlossenen Raum auf, außer Reichweite und Sicht von Kindern und Unbefugten. Munition immer vor Wärmequellen und offenem Feuer schützen.
23. Ändern Sie nie etwas an den Waffenbestandteilen. Sie können dadurch die richtige Funktion der Waffe oder deren Sicherheit in ernsthafter Weise beeinträchtigen.
24. Denken Sie daran, dass Korrosion, Gebrauch von defekter Munition, Aufprallen der Waffe auf eine harte Oberfläche oder anderweitiger "grober Umgang" eine Beschädigung herbeiführen kann, die auf den ersten Blick nicht erkennbar sein muss. Kommt es zu etwas derartigem, lassen sie die Waffe von einem Fachmann überprüfen.

## FACHAUSDRÜCKE UND BESCHREIBUNG DER WAFFE

Die in dieser Anleitung verwendeten Bezeichnungen der grundlegenden Waffenbestandteile sind in Abbildung 1 auf der Innenseite des Umschlages angeführt. Benennungen aller Bestandteile der Waffe sind im Kapitel *Verzeichnis der Bestandteile* angeführt.

Die Kugelbüchse CZ 557 ist ein Repetiergewehr mit dem Verschluss Typ Remington. Der Abzugsmechanismus ist in der Ausführung ohne Stecher, mit dem Stecher oder mit dem zweistufigen Abzug. Der eigene Abzug besitzt Regulierung des Widerstands und der Ganglänge. Die Sicherung sichert die Waffe gegen Abschuss ab, und in Abhängigkeit von der Ausführung kann sie zugleich den Verschlusshebel gegen das Öffnen blockieren. Zur Befestigung des Zielfernrohrhalters dienen die Nuten im oberen Teil des Verschlussgehäuses. Die Waffe wird in vielen Ausführungen hergestellt. Zu den charakteristischen Eigenschaften aller Ausführungen gehören:

- breites Sortiment von Kalibern ermöglicht eine optimale Wahl des Kalibers, entsprechend von Bedingungen unter denen die Kugelbüchse gebraucht wird
- gute Auswuchtung der Waffe gewährleistet schlagfertiges und einfaches Visieren
- leichter Aufbau des Zielfernrohres
- leichte Bedienung und gut zugängliche Bedienungsteile, die auch in der linkshändigen Ausführung hergestellt werden
- komplett einstellbarer Abzugsmechanismus
- Spannanzeiger für den Spannzustand des Schlagmechanismus
- leichter Ausbau für Reinigung und laufende Wartung, der ohne Werkzeugen durchführbar ist
- hohe Treffgenauigkeit
- hohe Lebensdauer
- hohe Zuverlässigkeit unter allen Gebrauchsbedingungen und das auch beim Gebrauch von unterschiedlicher, durch verschiedene Hersteller gefertigter Munition, mit verschiedenen Geschossarten
- Befestigungsmöglichkeit für Kompensator oder Schalldämpfer (nur auf besondere Forderung in Territorien, wo es legislativ erlaubt ist)

**CZ 557 Lux, CZ 557 Lux II**

Der Schaft ist aus hochwertigem Nussbaumholz mit Schaftbacke des bayerischen Typs, mit Oberflächenbehandlung mittels Abölen, versehen mit Fischhaut und Gummikappe. Die Waffe ermöglicht beim Schießen das Zielen sowohl über offene Visierungen, als auch mit Zielfernrohr. Das in der Höhe einstellbare Korn ist mit Glasfaseroptik versehen. Das komplett schwenkbare Visier ist seitlich verstellbar. Die Waffe besitzt einen freischwingenden Lauf. Die Ausführung Lux II unterscheidet sich durch den längeren Lauf, den Abzugsmechanismus mit dem Stecher und durch die den Verschlusshebel bei ihrer Verwendung blockierende Sicherung.

**CZ 557 Sporter**

Der Schaft aus Buchen- oder Nussholz ohne Schaftbacke ist mit Fischhaut und Gummikappe versehen. Die Waffe ist ausschließlich für das Schießen mit Zielfernrohr bestimmt. Sie besitzt einen freischwingenden Lauf.

**CZ 557 Synthetic**

Der Kunststoffschafft mit Oberflächenbehandlung Soft-Touch ist mit Aufrauhung in den Griffbereichen und mit Gummikappe versehen. Man kann die Waffe in den Varianten mit festen Visierungen oder ohne Visierungen liefern.

**CZ 557 Predator**

Der Kunststoffschafft mit Oberflächenbehandlung Soft-Touch mit Tarnung Real Tree ist in den Griffbereichen mit Aufrauhung und einer Gummikappe versehen. Man kann die Waffe in den Varianten mit festen Visierungen oder ohne Visierungen liefern.

**CZ 557 Carbine**

Der Schaft aus Nussholz mit Schaftbacke, mit Fischhaut und Gummikappe versehen. Die Waffe ermöglicht beim Schießen das Zielen sowohl über offene Visierungen, als auch mit Zielfernrohr. Das in der Höhe einstellbare Korn ist mit Glasfaseroptik versehen. Das komplett schwenkbare Visier ist seitlich verstellbar. Die Waffe besitzt einen freischwingenden Lauf.

**CZ 557 Range Rifle**

Der Schaft aus Buchenholz ohne Schaftbacke, mit Fischhaut und Gummikappe versehen. Die Waffe ermöglicht beim Schießen das Zielen sowohl über offene Visierungen, als auch mit Zielfernrohr. Das in der Höhe einstellbare Korn ist mit Glasfaseroptik versehen. Das komplett schwenkbare Visier ist seitlich verstellbar. Die Waffe besitzt einen freischwingenden Lauf, einen Abzugsmechanismus mit zweistufigem Widerstand, eine Sicherung mit Sperrung des Verschlusses.

**CZ 557 Varmint**

Der Schaft aus Nussholz ohne Schaftbacke, mit hohem Rücken, mit Fischhaut und Gummikappe versehen. Die Waffe besitzt einen freischwingenden, schweren, sportlichen Lauf. Sie ist ausschließlich für Schießen mit Zielfernrohr bestimmt.

**CZ 557 Varmint Synthetic**

Kunststoffschaft mit Soft-Touch-Aufmachung und angerauten Griffflächen, Gummikappe und einstellbarer Schaftbacke. Die Waffe hat einen schweren, freischwingenden, sportlichen Lauf und ist ausschließlich für das Schießen mit Zielfernrohr bestimmt.

**CZ 557 Varmint Laminated**

Einteiliger, lackierter Schaft aus lamiertem Holz mit Pistolengriff und erhöhten Schaftkamm mit Schaftbacke und Gummikappe. Die Waffe hat einen schweren, freischwingenden, sportlichen Lauf und ist ausschließlich für das Schießen mit Zielfernrohr bestimmt.

**CZ 557 American**

Der Schaft aus Nussholz mit Schaftbacke, mit Fischhaut und Gummikappe versehen. Die Waffe besitzt einen freischwingenden Lauf. Sie ist ausschließlich für Schießen mit Zielfernrohr bestimmt.

**CZ 557 Eclipse**

Kunststoffschaft mit Soft-Touch-Aufmachung mit angerauten Griffflächen, Gummikappe und Trigattischnittstelle für die Riemenschlaufen. Bestandteil des Modells sind Magazinkasten, Boden und Zubringer aus Kunststoff. Freischwingender Lauf. Die Waffe kann in Varianten mit fester Visiervorrichtung oder ohne geliefert werden.

**GEBRAUCHSANWEISUNG****Munition**

Immer Munition zulässiger Produktionsausführung, die die Normen für Munitionshersteller erfüllen und von der C.I.P. (Ständige Internationale Kommission für die Prüfung von Handfeuerwaffen), bzw. SAAMI (amerikanische Norm für Waffen und Munition) genehmigt sind. Der Gebrauch von anderen Patronen kann Waffenbeschädigungen oder Verletzungen des Schützen verursachen Bei der Benutzung von Fabrikmunition mit Standardgeschwindigkeit ist die Benutzung der Waffen der Česká zbrojovka a.s. sicher. Kontrollieren Sie die Munition, die Sie benutzen wollen, damit Sie die Sicherheit haben, dass sie dem Kaliber Ihrer Waffe entspricht. Bei kommerziell produzierter Munition ist auf jeder Patrone das Kaliber klar auf dem Boden oder am Bodenrand gekennzeichnet. Der Hersteller empfiehlt mit dieser Waffe nicht Schießen ohne Patronen in erhöhtem Maße. Für das sog. "Trockentraining" ist die Benutzung von zu diesem Zweck angepassten Patronenentladern geeignet.

**Laden der Waffe**

ZIELEN SIE BEIM LADEN IST DIE WAFFE IMMER IN EINE SICHERE RICHTUNG!

Magazinkasten-Ausführung

Öffnen Sie den Verschluss durch eine Umdrehung des Hebels nach oben und durch dessen Aufschieben nach hinten bis zum Anschlag. Legen Sie die Patrone auf den Zubringer und drücken sie in den Magazinkasten ein. Nach dem Loslassen bleibt die Patrone an der Seitenwand des Magazinkastens aufgefangen. Legen Sie die nächste Patrone auf die vorherige und stecken sie auf die gleiche Weise und Weise ein. Nach Beschicken des Magazinkastens mit dem Daumen auf die zuletzt geladene Patrone leicht drücken, wodurch es zur gleichmäßigen Anordnung der ganzen Patronensäule kommt. Verschieben Sie nach der Füllung des Magazinkastens den Verschluss durch eine stetige Bewegung nach vorne und schließen ihn durch eine Umdrehung des Hebels nach unten zu. Dadurch wird die Patrone in das Patronenlager eingeschoben und der Schlagmechanismus wird gespannt. Jetzt ist die Kugelbüchse schussbereit. Falls Sie nicht unmittelbar zu schießen beabsichtigen, sichern sie auf die, im Kapitel *Sicherung der Waffe*, angeführte Weise und Weise ab.

Magazin-Ausführung

Den Verschluss durch Schwenken des Hebels nach oben und Verschieben nach hinten bis zum Anschlag öffnen. Das Magazin entnehmen. Die Patrone auf den Zubringer legen und ins Magazin drücken bis die Patrone hinter der Mündung des Magazins einrastet. Nächste Patrone auf die Vorherige legen und auf die gleiche Weise einschieben. Nach Beschicken des Magazins dieses in die Waffe einlegen und den Verschluss mit kontinuierlicher Vorwärtsbewegung schieben und durch Drehen des Hebels diesen sperren. Dabei wird ins Patronenlager eine Patrone eingeschoben und der Schlagmechanismus gespannt. Jetzt ist die Kugelbüchse schussbereit. Falls man nicht unmittelbar zu schießen beabsichtigt, auf die, im Kapitel *Sicherung der Waffe*, angeführte Weise absichern.

**Entladen der Waffe**

ZIELEN SIE IN EINE SICHERE RICHTUNG!

- die Klemme des Magazinkastenbodens (Abb. 2) herabdrücken, den Magazinkasten für Patronen öffnen und mit Hilfe der Handfläche die freigewordenen Patronen auffangen, beziehungsweise die Magazinsperre herabdrücken und das Magazin entnehmen
- öffnen Sie den Verschluss und überzeugen sich davon, dass die Patrone aus dem Patronenlager ausgezogen und ausgeworfen wurde
- schließen Sie den Verschluss
- falls die Sicherung in gesicherter Stellung ist, entsichern Sie die Sicherung und drücken den Abzug (Sicherheitsschuss)

**Sicherung der Waffe**

Verschieben Sie die Sicherung nach hinten in die hintere Endstellung (Abb. 3). Dadurch schalten Sie die Funktion des Abzugsmechanismus aus, sodass man keinen Schuss abfeuern kann. Die Sicherung wird in zwei Ausführungen gefertigt, entweder mit Verschlussperrung oder ohne Verschlussperrung. Bei der Ausführung mit Verschlussperrung kann nach der Sicherung der Verschluss geöffnet werden. Die Ausführung ohne Verschlussperrung ermöglicht Öffnen und sichere Handhabung mit dem Verschluss.

**Funktion des Signalstiftes**

Der Signalstift ist an hinterer Stirnseite des Verschlusses angebracht. Falls der Schlagmechanismus gespannt ist, ragt der Signalstift aus der Verschlussperre heraus und sein roter Teil ist sichtbar (Abb. 4). Die Überkragung ist visuell sowie per Tastsinn feststellbar.

**Einstellen des Abzugsmechanismus**Abzugsmechanismus mit einstufigem Abzug

Beim Abzugsmechanismus ist es möglich, den Abzugswiderstand und die Abzugsganglänge vor und nach dem Abschuss einzustellen. Die Einstellung des Abzugswiderstands und der Weglänge nach dem Abschuss (Abb. 5) wird nach der Abnahme des Schaftes mittels der Stellschrauben A (Widerstand) und B (Weglänge nach dem Abschuss) durchgeführt. Man kann die Einstellung der Ganglänge vor dem Abschuss mittels der im Abzug angebrachten Schraube C durchführen (Abb. 5).

### Abzugsmechanismus mit zweistufigem Abzug

Beim Abzugsmechanismus ist es möglich, die zweite Stufe des Abzugs mittels einer Schraube des Abzugswiderstands des Abzugshebels D (Abb. 6) einzustellen. Einstellen des Abzugswiderstands wird nach dem Entnehmen des Schaftes durchgeführt. Es ist möglich, die Länge des freien Abzugsganges mittels einer im Abzug angeordneten Schraube F einzustellen. Es ist möglich, die Einstellung der Abschussganglänge mittels einer Schraube E durchzuführen.

### Abzugsmechanismus mit dem Stecher

Beim Abzugsmechanismus ist es möglich, die Funktion des Stechers zu nutzen. Der Stecher reduziert wesentlich den Widerstand des Abzugs beim Abschuss. Die Weglänge des Stechers kann durch die Schraube H vor dem Abzug eingestellt werden. Die Einstellung des Abzugswiderstands, der Weglänge und des Abzugsnachlaufes wird nach der Abnahme des Schaftes durchgeführt. Der Abzugswiderstand wird mittels der Schraube I, die Abzugsweglänge mittels der Schraube J und der Abzugsnachlauf mittels der Schraube G durchgeführt (Abb. 7).

Der Abzugsmechanismus wird aus Sicherheitsgründen nicht auf zu sehr niedrigen Widerstand und zu kurze Gänge vor dem Abschluss eingestellt, denn es könnte bei unpasslicher Handhabung zum unerwünschten Schuss kommen. Überprüfen Sie die Sicherheit der Einstellung des Abzugsmechanismus mit ungeladener Waffe durch wiederholtes Öffnen und Schließen des Verschlusses, kombiniert mit Sichern und Entsichern der Waffe mittels Sicherung. Es darf dabei nicht zum unbeabsichtigten Abschuss kommen.

Hinweis: Es ist möglich, den Stecher aus der Waffe auszubauen, unbeschadet des Einflusses auf Funktion oder Einstellung des eigenen Abzuges.

### **Funktion des Stechers**

Die Funktion des Stecher aktiviert Sie durch das Ziehen des Abzuges nach vorne (Abb. 7). Ziehen Sie ihn aus den Sicherheitsgründen erst nachdem die Waffe geladen wurde und unmittelbar vor dem Schießen auf. Tragen Sie die Waffe nicht mit einem aufgezogenen Stecher! Falls Sie schon den Stecher aufgezogen haben, allerdings der Schießgrund verging, zielen Sie in eine sichere Richtung, sichern Sie die Sicherung und lösen Sie den Stecher durch Betätigen des Abzuges aus. Entladen Sie dann die Kugelbüchse auf die oben beschriebene Weise.

### **Einstellen der Visiereinrichtungen**

Man kann die Höhenverstellung des Korns mit Hilfe des vorderen Schraubenpaares durchführen (Abb. 8). Die Seitenverstellung des Visiers wird mittels des im Visierplättchen angebrachten Schraubenpaares durchgeführt (Abb. 9).

#### Anmerkungen:

Man kann die komplette Visiergruppe um 180° so drehen, dass das Visierplättchen entweder in der Schießrichtung oder gegen sie geneigt wird. Es ist im Fall des Korn austausches geeignet, bei der Zerlegung des Kornschutzes seine sanfte Ausdehnung mit Hilfe einer Zange durchzuführen, womit man der Beschädigung des Kornfußes zuvorkommt.

### **Zielfernrohr**

Es ist angebracht, den Aufbau des Zielfernrohres und das Anschließen der Waffe einer Fachwerkstätte anzuvertrauen.



**PFLEGEANWEISUNG****Zerlegen zur Reinigung**

1. Den Magazinkasten öffnen und aus ihm Patronen herausnehmen, beziehungsweise die Magazinsperre herabdrücken und das Magazin entnehmen.
2. Öffnen Sie den Verschluss und ziehen ihn nach Herabdrücken des Verschlussfanges (Abb. 10) aus der Waffe heraus. Man kann zum Herabdrücken des Verschlussfanges z.B. den Rand der Patronenhülse benutzen.
3. Festen Sitz der Schraubverbindungen des Schafts (Pos. 66 und 67) überprüfen und gegebenenfalls mit Anzugsmoment 8,5 Nm festziehen, beim Modell Eclipse mit Kunststoffmagazinkasten (Pos. 65) mit Anzugsmoment 7 Nm festziehen.

Insoweit durchgeführte Zerlegung genügt für eine laufende Waffenpflege. Übergeben Sie die Waffe nach Abfeuern einer großen Patronenanzahl zum Ausbau und zur Reinigung des Verschlusses an eine Fachwerkstatt.

**Ausbau des Verschlusses**

**ÜBERZEUGEN SIE SICH VOR DEM AUSBAU DES VERSCHLUSSES DAVON, DASS DIE PATRONENLAGER LEER IST!**

Nehmen Sie den Verschluss aus der Waffe auf die zuvor beschriebene Art und Weise heraus. Den Schlagmechanismus durch Drehen des Verschlusses um 90° in umgekehrter Richtung lösen. Klopfen Sie den Stift des Verschlussgriffes hinaus, nehmen den Verschlussgriff und anschließend auch die Schlagbolzengruppe heraus.

**HINWEIS:**

Demontieren Sie keine weiteren Waffenteile. Wenn Sie der Meinung sind, die Waffe erfordert Einstellung oder Reparatur, vertrauen Sie sie einer Fachwerkstatt an!

**Reinigung der Waffe**

Die Waffe ist zu reinigen:

- nach jedem Gebrauch
- immer wenn die Waffe feucht wird
- möglichst bald nach dem Schießen
- unter milden klimatischen Bedingungen mindestens einmal pro Jahr
- unter rauen klimatischen Bedingungen mindestens einmal pro Monat

**Reinigung der Laufbohrung und des Patronenlagers**

Sofern aus der Waffe nicht geschossen wurde oder nur wenige Patronen abgefeuert wurden, wischen Sie die Laufbohrung und das Patronenlager mit einem trockenen, am Putzstock befestigten Lappen aus. Wechseln Sie die Lappen so lange aus, bis das letzte Stück sauber wird.

Falls die Bohrung stark verschmutzt ist, tragen Sie in sie und in das Patronenlager mit der Bürste eine Reinigungslösung auf und lassen die Lösung ca. 10 Minuten einwirken (die Einwirkungszeit kann sich bei verschiedenen Reinigungsmitteln unterscheiden) und putzen es mit Bürste aus. Trocknen Sie Bohrung und Patronenlager mit sauberem Lappen aus und kontrollieren, ob alle Verbrennungsrückstände beseitigt wurden. Im Bedarfsfall ist das Vorgehen zu wiederholen.

Schieben Sie den Putzstock sowie die Bürste in den Lauf von Patronenlager her ein, um die Laufmündung nicht zu beschädigen. Drücken Sie die Bürste durch den gesamten Lauf durch, bevor Sie die Bewegungsrichtung verändern. Falls Sie die Bewegungsrichtung mit der Bürste im Lauf wechseln würden, könnte sich die Bürste im Lauf verklemmen.

### **Reinigung der anderen Waffenteile**

Reinigen Sie die anderen Metallteile der Waffe mit einem trockenem Lappen, einer alten Zahnbürste, einer Messingbürste oder einem Holzschaber. Bei der Reinigung können Sie auch Konservierungsöl oder Petroleum benutzen. Benutzen Sie aber niemals die für die Reinigung der Laufbohrung bestimmte Lösung! Sie könnte in den Fugen zwischen den Bestandteilen zurückbleiben und nach längerer Zeit Korrosion verursachen. Überzeugen Sie sich davon, dass keine Reste vom Läppchen oder Bürsteborsten in einem Waffenteil hängengeblieben sind.

### **Konservierung**

Wenn Laufbohrung, Patronenlager und alle zugänglichen Bestandteile nach der Reinigung trocken sind, wischen Sie diese Teile mit einem in Konservierungsöl getränkten Lappen aus oder verwenden Ölspray. Wischen Sie die Ölreste ab.

Wischen Sie die Bohrung vor dem Schießen trocken aus. Falls Sie die Waffe bei niedrigen Temperaturen benutzen, beseitigen Sie das Öl aus allen zugänglichen Teilen oder verwenden speziell für diese Bedingungen bestimmte Schmiermittel. Verwenden Sie dickflüssige Konservierungsmittel, wie z.B. Vaseline, nur für langfristige Lagerung unter anspruchsvollen klimatischen Bedingungen und beseitigen diese vor Gebrauch gründlich von allen Waffenteilen.

### **Abfallentsorgung**

Produkt- und Verpackungsmaterialien haben bei richtiger Benutzung keine negativen Auswirkungen auf die Gesundheit des Menschen oder auf die Umwelt. Im Bedarfsfall der Entsorgung des Produkts oder seiner Verpackung gilt, dass Metallbestandteile (Stahl und Buntmetalle), Kunststoffe, Holz, Papier und Karton getrennt in den dafür bestimmten Sammelbehälter zu sammeln sind.

## VERZEICHNIS DER BESTANDTEILE

1 Lauf	29 Stellschraube Abzug (C)	61 Schlaufenhalter (2x)	87 Abzug
2 Kornfuß	30 Silonschnur $\varnothing$ 2mm	62 Riemenschlaufe (2x)	88 Abzugsbolzen
3 Kornfußschraube (2x)	31 Schraube der Abzugsbaugruppe	63 Schraube der Riemenschlaufe (2x)	89 Abzugsfeder
4 Kornschutz	32 Unterlage der Schraube der Abzugsbaugruppe	64 Unterlage der Schlaufenschraube (2x)	90 Widerstandsschraube des Abzugshebels s(D)
5 Korn	33 Abfang des Schlagbolzens	65 Rahmen des Magazinkastens	91 Abzugshebel
6 Kornhaltetift	34 Abfangfeder des Schlagbolzens	66 Vordere Verbindungsschraube	92 Stellschraube des Abzugshebels (E)
7 Glasfaseroptik	35 Abfanganschlag des Schlagbolzens	67 Hintere Verbindungsschraube	93 Widerstandsfeder des Abzugshebels
8 Kornstellschraube A	36 Sicherungssperre	68 Zubringer	94 Freigang-Schraube des Abzugs (F)
9 Kornstellschraube B	37 Rolle	69 Zubringerfeder	95 Abzugsnachlaufschraube (G)
10 Visierfuß	38 Rollenbolzen	70 Mantel des Magazinkastens	96 Magazinfeder
11 Visierfußschraube (2x)	39 Bolzen der Sicherungssperre	71 Magazinkastenboden	97 Magazinmantel
12 Visierplättchen	40 Verschlussgehäuse	72 Bolzen des Magazinkastenbodens	98 Magazinkasten
13 Visierstellschraube (2x)	41 Auszieher	73 Klemme des Magazinkastenbodens	99 Widerstandsfeder des Abzugs
14 Bett	42 Auszieherstift	74 Klemmenfeder des Magazinkastenbodens	100 Abzugshalter
15 Sicherung	43 Auszieherfeder	75 Schaft einsatz	101 Stecherhebel
16 Sicherungsanschlag	44 Auswerfer	76 Magazinrahmen	102 Abzugshebel
17 Verschlussfang	45 Auswerferstift	77 Magazinsperre	103 Abzug
18 Verschlussfangfeder	46 Auswerferfeder	78 Kompensator	104 Abzugsfeder
19 Verschlussfangbolzen (2x)	47 Verschlusskurbel	79 Feder der Magazinsperre	105 Bügelsicherung (2x)
20 Abzug	48 Kugel der Verschlusskurbel	80 Federstift der Magazinsperre	106 Bolzen des Stecherhebels
21 Abzugswiderstandsschraube (A)	49 Stift der Verschlusskurbel	81 Zubringer	107 Feder des Stecherhebels
22 Abzugsbolzen	50 Schlagbolzen	82 Magazinmantel	108 Stellschraube Stecher (H)
23 Silonschnur $\varnothing$ 1,6mm	51 Schlagbolzenfeder	83 Magazinfeder	109 Abzugswiderstand-Schraube (I)
24 Abzugshalter	52 Stütze der Schlagbolzenfeder	84 Klemme des Magazinkastenbodens	110 Schraubenmutter des Abzugsnachlaufes
25 Bolzen (3x)	53 Schlaufe (2x)	85 Magazinkasten	111 Schraube der Abzugsweglänge (J)
26 Schraube des Abzugsnachlaufes (B)	54 Schlagbolzenmutter	86 Abzugshalter	112 Weaver-Schiene
27 Feder der Abzugswiderstandsschraube	55 Stift der Schlagbolzenmutter		113 Schraube der Weaver-Schiene (2x)
28 Mutter der Stellschraube	56 Verschlussperre		
	57 Kappe der Verschlussperre		
	58 Schaft		
	59 Schaftkappe		
	60 Holzschraube der Schaftkappe (2x)		

## BEHEBUNG VON FUNKTIONSSTÖRUNGEN

Bei einer richtigen Handhabung und Instandhaltung ist die Wahrscheinlichkeit einer Störungsentstehung minimal. Sollte trotzdem diese Situation eintreten, so richten Sie sich nach folgenden Anweisungen.

**ACHTUNG** - falls beim Schießen eine Funktionsstörung entsteht, so erhöht sich außerordentlich die Wahrscheinlichkeit eines unbeabsichtigten Schusses. Halten Sie daher beim Beheben der Störung konsequent die zuvor oben angeführten Sicherheitsanweisungen ein. Zielen Sie ständig in eine sichere Richtung, richten Sie die Waffe weder gegen sich noch gegen andere Personen, halten Sie ihre Hände nicht vor der Laufmündung!

Störung	Wahrscheinliche Ursache	Behebung
Die Patrone wird in das Lager nicht zugeführt	Die Waffe oder die Patronen sind verunreinigt.	Reinigen Sie die Waffe und die Patronen, bis sie trocken sind, fetten sie gegebenenfalls leicht ein.
Zündversager	Die verwendete Patrone ist defekt. Verunreinigte Öffnung für den Schlagbolzen oder ungeeignetes Schmiermittel bei niedriger Umgebungstemperatur.	Gehen Sie nach Punkt 20 der Sicherheitsanweisungen vor. Bauen Sie den Schlagbolzen ab und reinigen Sie ihn, verwenden Sie eventuell ein Schmiermittel für niedrige Temperaturen.
"Schwacher Schuss"	Die Patrone wurde aktiviert, aber in der Patronenhülse war kein oder feuchter Pulver.	Entladen Sie die Waffe und überzeugen Sie sich, ob das Geschoss nicht im Lauf steckengeblieben ist. Ein eventueller weiterer Schuss könnte den Lauf ernsthaft beschädigen!
Kein Auswerfen	Verunreinigte Patronenlager, Auszieher oder Patronen, eventuell Anwendung eines ungeeigneten Schmiermittels bei niedriger Umgebungstemperatur.	Reinigen Sie die Waffe, bis sie trocken ist, fetten Sie sie eventuell leicht mit geeignetem Schmiermittel ein. Verwenden Sie neue saubere Munition.

Falls die Störung auf keine oben angegebene Weise behoben werden kann, so vertrauen Sie die Waffe zur Durchsicht und Reparatur einer Fachwerkstatt an.

**VERZEICHNIS DER ABBILDUNGEN**

1. Terminologie der Hauptteile
2. Öffnen des Magazinkastens
3. Sicherung in gesicherter Stellung
4. Ansicht auf den gespannten Signalstift
5. Einstellen des einstufigen Abzugs
6. Einstellen des zweistufigen Abzugs
7. Einstellung des Abzugsmechanismus mit einem Stecher
8. Detail der Stellschrauben des Korns
9. Detail der Stellschrauben des Visiers
10. Niederdrücken des Verschlussfanges
11. Ausbau des Verschlusses

Der Hersteller behält sich das Recht vor, Änderungen vorzunehmen, die er für unerlässlich zur Verbesserung seiner Modelle hält, oder um fertigungstechnischen oder geschäftlichen Anforderungen nachzukommen.

**Avant de commencer toute manipulation avec votre arme, veuillez prendre connaissance du présent mode d'emploi et surtout des consignes de sécurité.**

Toute manipulation imprudente ou incorrecte de l'arme peut provoquer un tir involontaire, ayant pour conséquence possible des blessures, la mort ou des dégâts matériels. Des modifications non autorisées, de la corrosion ou l'emploi de munitions non prescrites ou endommagées peuvent avoir les mêmes conséquences. Dans de tels cas, le fabricant ne pourra pas être porté responsable des dommages survenus.

Avant d'être expédiée dans le réseau de vente, cette arme a été testée, examinée avec précautions et emballée. La société CZ ne peut toutefois pas contrôler les manipulations survenues après que l'arme a quitté l'usine. C'est pour cette raison que nous vous recommandons de contrôler votre arme lors de l'achat et ce, pour voir si elle n'est pas chargée ou endommagée.

La présente brochure doit toujours accompagner l'arme, même si vous la prêtez à une tierce personne ou si vous la revendez.

## TABLE DES MATIÈRES

CONSIGNES DE SÉCURITÉ	63	INSTRUCTIONS D'ENTRETIEN	72
TERMINOLOGIE ET DESCRIPTION DE L'ARME	65	Démontage pour nettoyage	72
INSTRUCTIONS D'UTILISATION	68	Démontage de la culasse	72
Munitions	68	Nettoyage de l'arme	73
Chargement de l'arme	68	Nettoyage du canon et de la chambre	73
Déchargement de l'arme	69	Nettoyage des autres parties de l'arme	73
Verrouillage de l'arme	69	Conservation	74
Fonction de l'indicateur d'armement	69	Traitement des déchets	74
Réglage du mécanisme de détente	69	DÉFAUTS	75
Fonction de la gâchette	70	LISTE DES PIÈCES	76
Réglage des éléments de visée	71	LISTE DES FIGURES	77
Lunette de visée	71		

## CONSIGNES DE SÉCURITÉ

Respectez en tout temps les consignes de sécurité suivantes, pour votre propre sécurité et pour la sécurité des autres personnes.

1. Toujours manipuler l'arme comme si elle était chargée.
2. Ne pointer votre arme, chargée ou déchargée, que vers la cible désignée.
3. Ne jamais croire personne déclarant que l'arme n'est pas chargée.
4. Avant de ranger l'arme ou de la remettre à une autre personne, toujours s'assurer que l'arme n'est pas chargée.
5. Conserver l'arme déchargée et le mécanisme de percussion désarmé.
6. Ne jamais utiliser l'arme pour des agissements autres que le tir.
7. Ne jamais laisser une arme chargée sans surveillance.
8. Avant de charger l'arme, s'assurer que l'intérieur du canon, la chambre et la culasse sont propres et libres. Nettoyer l'arme le plus tôt possible après le tir.
9. Ne jamais tirer avec l'arme si vous n'êtes pas certains des munitions que vous utilisez. Ne jamais utiliser de munitions qui ne seraient pas identifiées, qui auraient été manuellement chargées et dont vous ne connaissez pas l'origine. Ne pas utiliser de munitions lorsque les cartouches sont fissurées, déformées ou écrasées, ni de munitions montrant des traces de détérioration. La recharge est une opération spécialisée, devant être réalisée par un spécialiste et toute cartouche ayant été incorrectement (mal) rechargée peut devenir extrêmement dangereuse. Leur utilisation peut être synonyme de détérioration/destruction de votre arme et de blessures graves, voire même mortelles. Utiliser uniquement des munitions propres, sèches et originales, fabriquées en usine, en bon état et de calibre correspondant à votre arme.
10. Avant et pendant le tir, ne jamais consommer des boissons alcooliques ou des drogues.
11. Lors du tir, si les conditions le permettent, utiliser une protection de l'ouïe et des lunettes de tir.
12. Lorsque l'arme est chargée, laisser la sûreté engagée jusqu'à ce que vous soyez prêt à tirer. Lors du déverrouillage de la sûreté, tenir l'arme orientée vers un lieu sûr.



13. Si le système de détente à stecher est armé, manipuler l'arme avec de grandes précautions, car tout choc peut provoquer un départ du coup inopiné.
14. Ne jamais bloquer la fenêtre d'éjection et contrôler que personne ne se trouve dans la direction de la douille éjectée.
15. Ne jamais mettre le doigt sur la détente ou dans le pontet si vous ne visez pas la cible ou si vous n'êtes pas prêt à tirer.
16. Avant d'appuyer sur la détente, contrôler encore une fois la cible et l'espace situé derrière la cible. La balle peut en effet traverser la cible ou la manquer et porter à plusieurs centaines de mètres.
17. Ne jamais tirer sur la surface de l'eau ni sur une surface dure, par exemple de la pierre.
18. Ne jamais utiliser l'arme à proximité d'animaux qui ne sont pas habitués à ce bruit.
19. Ne jamais se permettre de faire des « blagues » en tenant l'arme en mains.
20. Raté lors du tir : Lors d'un raté, attendre 30 secondes en dirigeant l'arme en direction de la cible ou vers un lieu sûr. Si l'amorçage est retardé, la cartouche doit tirer dans les trente secondes. Si le tir n'a pas lieu, enlever la cartouche du canon et la contrôler. Si la trace du percuteur est faible ou absente, remettre l'arme à un armurier qualifié pour qu'il la contrôle et ce, avant de procéder au prochain tir.
21. Avant de nettoyer, de ranger ou de transporter l'arme, toujours s'assurer qu'elle n'est pas chargée. Retirer de l'arme toutes les cartouches n'ayant pas été tirées et les ranger ensuite conformément à la législation en vigueur.
22. Ranger l'arme et les munitions dans des lieux séparés, fermés à clef et hors de portée des enfants et des personnes non-autorisées. Toujours protéger les munitions contre les sources de chaleur et les flammes vives.
23. Ne jamais modifier aucune pièce de l'arme. Ceci pourrait en effet influencer son bon fonctionnement ou sa sécurité.
24. Toujours avoir en mémoire que la corrosion, l'utilisation de munitions endommagées, la chute de l'arme sur une surface dure ou toute autre manipulation rude peut être à la source d'endommagements qui ne sont pas forcément visibles à première vue. Si une telle situation devait apparaître, faire contrôler l'arme par un spécialiste.

## TERMINOLOGIE ET DESCRIPTION DE L'ARME

Les appellations des parties essentielles de l'arme sont reprises sur la figure 1 située sur la face intérieure de la couverture. La liste des pièces est reprise intégralement dans le chapitre « *Liste des pièces* ».

La carabine CZ 557 est un fusil à répétition muni d'une culasse de type Remington. Le mécanisme de la détente est de réalisation sans gâchette, avec gâchette ou avec détente à double résistance. La résistance et la longueur de marche de la détente peuvent être réglées. Une sûreté protège l'arme contre l'amorçage et, en fonction de la version, elle pourra également empêcher l'ouverture de la poignée de la culasse. Les rainures situées dans la partie supérieure du palier de la culasse sont prévues pour y fixer le support du viseur optique. Cette arme est fabriquée en plusieurs modèles. Les caractéristiques générales de tous les modèles sont les suivantes:

- un large assortiment de calibres, permettant un choix optimum du calibre en fonction des conditions d'utilisation de l'arme ;
- une bonne balance de l'arme garantissant une visée rapide et facile ;
- un montage facile de la lunette de visée ;
- organes de commande faciles et bien accessibles, disponibles aussi pour les gauchers ;
- un mécanisme de détente complètement réglable ;
- une indication de l'armement du mécanisme de percussion ;
- un démontage facile et sans aucun outillage pour le nettoyage et la maintenance courante ;
- une haute précision de tir ;
- une longue durée de vie ;
- une fiabilité élevée dans toutes les conditions d'utilisation et lors de l'utilisation de munitions de différents fabricants et de différents types ;
- la possibilité de monter un compensateur ou un silencieux (en option et uniquement sur demande spécifique et pour les territoires où la législation l'autorise)

**CZ 557 Lux, CZ 557 Lux II**

Crosse en bois de noyer de qualité, munie d'une queue d'aronde de type bavarois, traitement de surface par huilage, comporte des écailles et la crosse est équipée d'un sabot en plastique. Ce type de crosse permet de viser aussi bien à l'aide d'éléments de visée ouverts qu'à l'aide d'un viseur optique. Le guidon, dont la hauteur peut être réglé, est équipé de fibres conductrices de lumière. La hausse, qui est totalement rotative, est réglable latéralement. Elle dispose d'un canon flottant. Le modèle Lux II a un canon plus long, un mécanisme de détente à gâchette et une sûreté bloquant la poignée de la culasse lorsqu'elle est utilisée.

**CZ 557 Sporter**

Crosse en bois de hêtre ou de noyer, sans queues d'aronde, avec écailles et sabot en caoutchouc. Elle est destinée exclusivement au tir avec viseur optique. Elle est équipée d'un canon flottant.

**CZ 557 Synthetic**

Crosse en plastique avec traitement de surface Soft-Touch, plus rugueux dans les zones où vous tenez la crosse, équipée d'un sabot en caoutchouc. En variante, peut être livrée avec des éléments de visée fixes ou sans éléments de visée.

**CZ 557 Predator**

Crosse en plastique avec traitement de surface Soft-Touch et camouflage Real Tree, plus rugueuse dans les zones où vous tenez la crosse, équipée d'un sabot en caoutchouc. En variante, peut être livrée avec des éléments de visée fixes ou sans éléments de visée.

**CZ 557 Carbine**

Crosse en bois de noyer, munie d'une queue d'aronde, d'écailles et d'un sabot en caoutchouc. Ce type de crosse permet de viser aussi bien à l'aide d'éléments de visée ouverts qu'à l'aide d'un viseur optique. Le guidon, dont la hauteur peut être réglée, est équipé de fibres conductrices de lumière. La hausse, qui est totalement rotative, est réglable latéralement. Elle dispose d'un canon flottant.

**CZ 557 Range Rifle**

Crosse en bois de hêtre, sans queue d'aronde, avec écailles et sabot en caoutchouc. Ce type de crosse permet de viser aussi bien à l'aide d'éléments de visée ouverts qu'à l'aide d'un viseur optique. Le guidon, dont la hauteur peut être réglée, est équipé de fibres conductrices de lumière. La hausse, qui est totalement rotative, est réglable latéralement. Elle dispose d'un canon flottant, d'un mécanisme de détente à double résistance, d'une sûreté avec blocage de la culasse.

**CZ 557 Varmint**

Crosse en bois de noyer, sans queue d'aronde, avec dos relevé, avec écailles et un sabot en caoutchouc. Elle dispose d'un lourd canon sportif flottant. Elle est destinée exclusivement au tir avec viseur optique.

**CZ 557 Varmint Synthetic**

Crosse en plastique recouverte d'un traitement de surface Soft-Touch qui est plus rugueux dans les zones où vous tenez la crosse, équipée d'un sabot en caoutchouc et d'une joue réglable. Cette arme dispose d'un lourd canon flottant, de type sportif, et elle est destinée exclusivement au tir avec viseur optique.

**CZ 557 Varmint Laminated**

Crosse monobloc laquée, en bois stratifié, comportant une poignée pistolet et un dos de crosse surélevé intégrant une joue et munie d'un sabot en caoutchouc. Cette arme dispose d'un lourd canon flottant, de type sportif, et elle destinée exclusivement au tir avec viseur optique.

**CZ 557 American**

Crosse en bois de noyer, munie d'une queue d'aronde, d'écailles et d'un sabot en caoutchouc. Elle dispose d'un canon flottant. Elle est destinée exclusivement au tir avec viseur optique.

**CZ 557 Eclipse**

Crosse en plastique recouverte d'un traitement de surface Soft-Touch, comportant une interface Trigatti permettant d'y fixer l'anneau porte-bretelle. Le revêtement est plus rugueux dans les zones où vous tenez la crosse. La crosse est équipée d'un sabot en caoutchouc. Sur ce modèle, le magasin, le fond du magasin et l'élevateur sont en plastique. Le canon est flottant. En variante, elle peut être livrée avec des éléments de visée fixes ou sans éléments de visée.

## INSTRUCTIONS D'UTILISATION

### Munitions

Toujours utiliser des munitions dont la production est autorisée, qui satisfont aux normes en vigueur en termes de munitions et qui ont été approuvées par l'organisation CIP (Commission internationale permanente pour les épreuves d'armes et munitions) ou SAAMI (Standard américaine pour les armes et munitions). L'utilisation d'autres munitions peut être source de dommages à l'arme ou de blessures pour le tireur. Si vous utilisez des munitions d'usine ayant une vitesse standard, l'utilisation des armes de la société Česká zbrojovka a.s. est sûre. Toujours vérifier les munitions que vous envisagez d'utiliser, ceci afin d'être certains qu'elles correspondent au calibre de votre arme. Sur toutes les cartouches fabriquées dans un but commercial, le calibre sera clairement indiqué sur le fond de la cartouche, éventuellement autour du fond de la cartouche. Le fabricant recommande de ne pas utiliser trop souvent l'arme pour réaliser un tir à vide (sans cartouche). Pour un « entraînement à sec », il vous recommande d'utiliser des cartouches factices qui ont été spécialement conçues pour ce type d'utilisation.

### Chargement de l'arme

LORS DE L'OPÉRATION DE CHARGEMENT, TOUJOURS VEILLER À DIRIGER L'ARME VERS UN ENDROIT OÙ RIEN NI PERSONNE N'EST MIS EN DANGER!

#### Réalisation à magasin

Ouvrir la culasse en faisant pivotant la poignée vers le haut et en la tirant vers l'arrière jusqu'à ce qu'elle soit en butée. Déposer une cartouche sur l'élévateur et l'enfoncer dans le magasin. Après relâchement, la cartouche reste bloquée par les parois latérales du magasin. Déposer la cartouche suivante sur la précédente et l'insérer de la même manière. Une fois que vous aurez rempli le boîtier, pousser légèrement avec le pouce sur la dernière cartouche chargée de manière à uniformiser l'agencement de la colonne de cartouche. Une fois que le magasin est plein, ramener la culasse mobile vers l'avant et faire pivoter la poignée vers le bas pour la verrouiller. Ce mouvement insère une cartouche dans la chambre et arme le mécanisme de percussion. La carabine est ainsi prête à tirer. Si vous ne comptez pas tirer dans les moments qui suivent, verrouiller l'arme en suivant les consignes indiquées dans la partie « *Verrouillage de l'arme* ».

#### Réalisation à chargeur

Ouvrir la culasse en faisant pivotant la poignée vers le haut et en la tirant vers l'arrière jusqu'à ce qu'elle soit en butée. Remplacer le chargeur. Déposer une cartouche sur l'élévateur et l'enfoncer dans le chargeur jusqu'à ce que la cartouche dépasse l'embout du chargeur. Placer la cartouche suivante sur la précédente et l'insérer de la même manière. Une fois que vous aurez rempli le chargeur, l'introduire dans l'arme, déplacer ensuite la culasse vers l'avant en lui faisant exécuter un mouvement fluide et faire enfin pivoter la poignée vers le bas pour la verrouiller. Ce mouvement insère une cartouche dans la chambre et arme le mécanisme de percussion. La carabine est ainsi prête à tirer. Si vous ne comptez pas tirer dans les moments qui suivent, verrouiller l'arme en suivant les consignes indiquées dans la partie « *Verrouillage de l'arme* ».

## Déchargement de l'arme

TENIR L'ARME DIRIGÉE VERS UN LIEU SÛR!

- pousser sur la goupille du fond du magasin (Figure 2), ouvrir le magasin à cartouches et récupérer les cartouches dans la paume de la main - respectivement pousser sur la sûreté du chargeur et retirer le chargeur;
- ouvrir la culasse et s'assurer que la cartouche a été extraite et éjectée de la chambre ;
- refermer la culasse ;
- si la sécurité est en position verrouillée, déverrouiller la sécurité et appuyer sur la détente (coup de sécurité)

## Verrouillage de l'arme

Déplacer la sûreté vers l'arrière pour la placer dans sa position extrême (Figure 3). Ceci bloquera le mécanisme de détente, il ne sera pas possible de tirer. La sûreté est fabriquée en deux modèles différents - avec blocage de la culasse ou sans blocage de la culasse. Sur le modèle avec blocage de la culasse, il ne sera plus possible d'ouvrir la culasse une fois que l'arme aura été verrouillée. Le modèle sans blocage de la culasse vous permettra d'ouvrir la culasse et de manipuler ainsi la culasse en toute sécurité.

## Fonction de l'indicateur d'armement

L'indicateur d'armement est placé sur la face arrière de la culasse. Si le mécanisme de percussion est armé, l'indicateur dépasse de la noix et sa partie rouge est visible (Figure 4). Cela vous permet de réaliser un contrôle aussi bien visuel que tactile.

## Réglage du mécanisme de détente

### Mécanisme de détente équipé d'une détente à une seule résistance

Sur ce mécanisme de la détente, il est possible de régler la résistance de la détente et la course de la détente avant et après amorçage. Le réglage de la résistance de la détente et de la course après amorçage (Figure 5) se réalise après avoir enlevé la crosse à l'aide de la vis de réglage A (résistance) et B (course après amorçage). Le réglage de la course avant amorçage peut être effectué à l'aide de la vis C qui se trouve dans la détente (Figure 5).

### Mécanisme de détente équipé d'une détente à double résistance

Sur ce mécanisme de la détente, il est possible de régler la seconde résistance de la détente à l'aide de la vis de la résistance du levier de la détente D (Figure 6). Le réglage de la résistance de la détente se réalise après avoir retiré la crosse. La longueur de la course libre de la détente pourra être réglée à l'aide de la vis F située dans la détente. Le réglage de la course de l'amorçage pourra être réalisé à l'aide de la vis E.

### Mécanisme de détente avec gâchette

Sur ce mécanisme de détente, il est possible d'utiliser la fonction de la gâchette qui réduira sensiblement la résistance de la détente lors de l'amorçage. La longueur de marche de la gâchette pourra être réglée à l'aide de la vis H qui se trouve devant la détente. Le réglage de la résistance de la détente, de la longueur de marche de la détente et de la descente de la détente pourront être réalisés après avoir retiré la crosse. La résistance de la détente se règle à l'aide de la vis I, la longueur de la course à l'aide de la vis J et la descente de la détente à l'aide de la vis G (Figure 7).

Pour des raisons de sécurité, nous vous recommandons de ne pas régler une résistance trop faible du mécanisme de détente ni des courses de gâchette trop courtes avant amorçage. En effet, des chocs lors de la manipulation inappropriée pourraient, dans un tel cas, entraîner un tir involontaire. Vérifier la sécurité du réglage du mécanisme de détente sur une arme qui n'est pas chargée et ce, en ouvrant et refermant plusieurs fois la culasse et en bloquant et débloquent simultanément la sûreté. Aucun amorçage involontaire ne peut se produire.

**Remarque:** La gâchette peut être retirée de l'arme que cela influence le fonctionnement ou le réglage de la détente.

### **Fonction de la gâchette**

La fonction de la gâchette pourra être activée en tirant la détente vers l'avant (Figure 7). Pour les raisons de sécurité, ne faire cette opération qu'après avoir chargé l'arme, juste avant le tir. Ne jamais transporter l'arme dont la gâchette serait activée. Si vous avez tendu la gâchette et que vous n'avez plus de raison de tirer, diriger l'arme vers un lieu sûr, engager la sûreté et relâcher la gâchette en appuyant sur la détente. Décharger ensuite la carabine selon le procédé décrit ci-dessus.

### Réglage des éléments de visée

Il est possible de corriger la hauteur de la hausse à l'aide des deux vis avant (Figure 8). La correction latérale de la hausse se fait à l'aide des vis qui se trouvent dans la plaque de hausse (Figure 9).

#### Notices:

L'ensemble de la hausse peut pivoter sur 180° de manière à ce que la plaque de la hausse soit dirigée dans le sens du tir ou dans le sens inverse. Lors du remplacement du guidon, au moment du démontage du protège-guidon, il est recommandé de tirer quelque peu ce dernier avec une pince pour éviter d'endommager la base du guidon.

### Lunette de visée

Il est recommandé de confier le montage et le réglage de la lunette de visée à un atelier spécialisé.



**INSTRUCTIONS D'ENTRETIEN****Démontage pour nettoyage**

1. Ouvrir le magasin à cartouches et en retirer les différentes cartouches, respectivement, pousser sur la sûreté du chargeur et retirer le chargeur.
2. Ouvrir la culasse et la sortir de l'arme après avoir pressé l'arrêtoire de la culasse (Figure 10). Pour presser sur l'arrêtoire de la culasse, il est éventuellement possible d'utiliser la pointe d'une cartouche.
3. Vérifier le serrage des vis de fixation de la crosse (Ind. 66 et 67) et éventuellement les resserrer à un couple de serrage de 8,5 Nm. Dans le cas du modèle Eclipse dont le cadre du magasin est en plastique (Ind. 65), il conviendra de serrer ces vis à un couple de 7 Nm.

Ce démontage suffit pour un entretien courant. Après le tir d'un grand nombre de cartouches, il convient de remettre l'arme à un atelier spécialisé qui démontera et nettoiera la culasse.

**Démontage de la culasse**

AVANT DE DEMONTER LA CULASSE, VÉRIFIER QUE LA CHAMBRE A CARTOUCHES NE CONTIENT PLUS AUCUNE CARTOUCHE!

Retirer la culasse de l'arme en suivant la procédure décrite ci-dessus. Desserrer le mécanisme de percussion en faisant pivoter l'arrêtoire de 90° dans le sens contraire à celui des aiguilles d'une montre (Figure 11). Sur les modèles « main gauche », il conviendra de faire pivoter l'arrêtoire de 90° dans le sens inverse. Faire sortir la goupille de la manivelle de l'arrêtoire, retirer la manivelle et ensuite retirer l'ensemble du percuteur.

**REMARQUE:**

Ne démonter aucune autre pièce. Si vous pensez que votre arme a besoin d'être réglée ou d'être réparée, toujours la confier à un atelier spécialisé!

### **Nettoyage de l'arme**

Nettoyer l'arme :

- après chaque utilisation ;
- chaque fois qu'elle a été exposée à l'humidité ;
- le plus tôt possible après le tir ;
- dans des conditions atmosphériques normales, au moins une fois par an ;
- dans des conditions atmosphériques sévères, au moins une fois par mois.

### **Nettoyage du canon et de la chambre**

Si l'arme n'a pas été utilisée ou si seulement quelques cartouches ont été tirées, essuyer l'intérieur du canon et la chambre avec un chiffon sec placé sur la tige de nettoyage. Remplacer les chiffons jusqu'à ce que le dernier bout soit propre. Si l'intérieur du canon est fortement sali, utiliser une brosse et imprégner l'intérieur du canon et de la chambre avec du liquide de nettoyage et laisser agir pendant une dizaine de minutes (cette durée peut varier selon le type de produit utilisé) et nettoyer ensuite avec la brosse. Sécher l'intérieur du canon et la chambre avec un chiffon propre et contrôler que tous les résidus de combustion ont bien été éliminés. En cas de besoin, répéter l'opération.

La tige de nettoyage et la brosse doivent être insérées à partir de la chambre pour ne pas endommager la bouche du canon. La brosse doit être passée sur toute la longueur du canon avant que vous ne changiez de direction, ceci pour éviter qu'elle ne se bloque dans les rayures.

### **Nettoyage des autres parties de l'arme**

Les autres parties métalliques de l'arme seront nettoyées selon les besoins avec un chiffon sec, une vieille brosse à dents, une brosse en laiton ou un grattoir en bois. Lors du nettoyage, il est possible d'utiliser de l'huile de conservation ou du pétrole. Ne jamais utiliser de liquide de nettoyage pour l'intérieur du canon ! Ce dernier pourrait en effet rester dans les fentes et y provoquer de la corrosion. S'assurer qu'aucun résidu de chiffon ou de brosse n'est resté dans aucune partie de l'arme.

**Conservation**

Après nettoyage, l'intérieur du canon, la chambre et toutes les parties métalliques accessibles seront essuyées avec un chiffon doux imprégné d'huile de conservation ou traités par une pulvérisation d'huile spéciale. Essuyer l'excédent d'huile.

Avant le tir, essuyer l'intérieur du canon avec un chiffon sec. Si l'arme est utilisée à basses températures, il est nécessaire d'enlever l'huile de toutes les parties accessibles ou d'utiliser une huile adaptée à ces conditions climatiques. Les moyens de conservation épais, comme la vaseline, ne seront utilisés que pour la conservation de longue durée dans des conditions climatiques difficiles et devront être soigneusement éliminés de toutes les parties de l'arme.

**Traitement des déchets**

Si les matériaux du produit et de l'emballage sont traités correctement, ils n'ont aucune incidence négative ni sur la santé humaine ni sur l'environnement. Au cas où il serait nécessaire de liquider le produit ou son emballage, les parties métalliques (acier, métaux non-ferreux), les emballages plastiques, le papier et le carton doivent être déposés séparément dans des conteneurs qui leur sont destinés.

## DÉFAUTS

Si vous procédez à un entretien régulier et que vous utilisez l'arme normalement, la probabilité d'apparition d'un défaut est minimale. Si toutefois une telle situation devait apparaître, il convient d'appliquer les instructions suivantes.

**AVERTISSEMENT !** En cas de problèmes en cours de tir, la probabilité d'un tir inattendu augmente fortement. C'est pour cette raison qu'il convient d'appliquer strictement les consignes de sécurité. Toujours garder l'arme dirigée vers un lieu où rien ni personne n'est mis en danger, ne jamais la diriger vers les personnes présentes, ne jamais placer la main devant la bouche du canon!

Défaut	Cause	Remède
La cartouche ne passe pas dans la chambre	L'arme ou les cartouches sont fortement encrassées.	Nettoyer l'arme et les cartouches à sec, graisser légèrement en cas de besoin.
Percussion ratée	La cartouche utilisée est défectueuse. L'orifice destiné au percuteur est bouché par des impuretés ou la graisse utilisée ne convient pas aux basses températures ambiantes.	Appliquer le point 20 des consignes de sécurité. Démonter et nettoyer le percuteur, utiliser éventuellement un lubrifiant pour basses températures.
« Coup faible »	La cartouche été percutée, mais la douille ne contient pas de poudre ou cette dernière était humide.	Décharger l'arme et s'assurer que la balle n'est pas restée dans le canon. Un éventuel autre coup pourrait gravement endommager le canon!
Pas d'éjection	La chambre, l'extracteur ou la cartouche sont fortement encrassés, vous avez éventuellement utilisé de la graisse inadaptée aux basses températures ambiantes.	Nettoyer l'arme à sec, graisser légèrement en cas de besoin. N'utiliser que des munitions neuves, propres.

Si aucun procédé décrit ci-dessus ne permet d'éliminer le problème, veuillez confier votre arme à un atelier spécialisé.

LISTE DES PIÈCES

- |  |  |   |  |
|--|--|---|--|
| 1 Canon  | 29 Vis de réglage de la détente (C)            | 59 Sabot  | 90 Vis de la résistance du levier de la détente (D)              |
| 2 Base du guidon                                     | 30 Fil de nylon Ø2 mm                          | 60 Vis du sabot (2x)                            | 91 Levier de la détente  |
| 3 Vis de la base du guidon (2x)                      | 31 Vis du système de la détente                | 61 Support de l'anneau (2x)                     | 92 Vis de réglage du levier de la détente (E)                    |
| 4 Protège-guidon                                     | 32 Rondelle de la vis du système de la détente | 62 Anneau porte-bretelle (2x)                   | 93 Ressort de la résistance du levier de la détente              |
| 5 Guidon   | 33 Gâchette du percuteur                       | 63 Vis de la grenadière (2x)                    | 94 Vis de la course libre de la détente (F)                      |
| 6 Plot du guidon                                     | 34 Ressort de la gâchette du percuteur         | 64 Rondelle de la vis de la grenadière (2x)     | 95 Vis de la descente de la détente (G)                          |
| 7 Fibre conductrice de lumière                       | 35 Butée de la gâchette du percuteur           | 65 Châssis du magasin                           | 96 Ressort du chargeur   |
| 8 Vis de réglage du guidon A                         | 36 Verrou de la sûreté                         | 66 Vis de raccordement avant                    | 97 Paroi du magasin  |
| 9 Vis de réglage du guidon B                         | 37 Galet de renvoi                             | 67 Vis de raccordement arrière                  | 98 Fond du chargeur  |
| 10 Embase de la hausse                               | 38 Cheville du galet de renvoi                 | 68 Élévateur                                    | 99 Ressort de la résistance de la détente                        |
| 11 Vis de l'embase de la hausse (2x)                 | 39 Plot du verrou de la sûreté                 | 69 Ressort de l'élévateur                       | 100 Support de la détente  |
| 12 Plaque de la hausse                               | 40 Corps de la culasse                         | 70 Paroi du magasin                             | 101 Levier de la gâchette  |
| 13 Vis de réglage de la hausse (2x)                  | 41 Extracteur                                  | 71 Fond du magasin                              | 102 Levier de la détente   |
| 14 Lit   | 42 Cheville de l'extracteur                    | 72 Plot du fond du magasin                      | 103 Détente  |
| 15 Sûreté  | 43 Ressort de l'extracteur                     | 73 Verrou du fond du magasin                    | 104 Ressort de la détente  |
| 16 Butée de la sûreté                                | 44 Éjecteur                                    | 74 Ressort du verrou du fond du magasin         | 105 Sûreté à étrier (2x)   |
| 17 Arrêtoire de la culasse                           | 45 Cheville de l'éjecteur                      | 75 Douille de la crosse                         | 106 Plot du levier de la gâchette                                |
| 18 Ressort de l'arrêtoire de la culasse              | 46 Ressort de l'éjecteur                       | 76 Cadre du chargeur                            | 107 Ressort du levier de la gâchette                             |
| 19 Plot de l'arrêtoire de la culasse (2x)            | 47 Manivelle de la culasse                     | 77 Sûreté du chargeur                           | 108 Vis de réglage de la gâchette (H)                            |
| 20 Détente   | 48 Boule de la manivelle de la culasse         | 78 Compensateur                                 | 109 Vis de réglage de la résistance de la détente (I)            |
| 21 Vis de la résistance de la détente (A)            | 49 Cheville de la manivelle de la culasse      | 79 Ressort de la sûreté du chargeur             | 110 Écrou de la vis de réglage de la descente de la détente      |
| 22 Plot de la détente                                | 50 Percuteur                                   | 80 Goupille du ressort de la sûreté du chargeur | 111 Vis de réglage de la longueur de la marche de la détente (J) |
| 23 Fil en nylon Ø1,6 mm                              | 51 Ressort du percuteur                        | 81 Élévateur                                    | 112 Rail Weaver  |
| 24 Support de la détente                             | 52 Cale du ressort du percuteur                | 82 Paroi du chargeur                            | 113 Vis du rail Weaver (2x)                                      |
| 25 Plot (3x)   | 53 Attache (2x)                                | 83 Ressort du chargeur                          |  |
| 26 Vis de la course après amorçage de la détente (B) | 54 Écrou du percuteur                          | 84 Goupille du fond du chargeur                 |  |
| 27 Ressort de la vis de la résistance de la détente  | 55 Cheville de l'écrou du percuteur            | 85 Fond du chargeur                             |  |
| 28 Écrou de la vis de réglage                        | 56 Noix  | 86 Support de la détente                        |  |
|  | 57 Cache de la noix                            | 87 Détente                                      |  |
|  | 58 Crosse                                      | 88 Plot de la détente                           |  |
|  |  | 89 Ressort de la détente                        |  |

**LISTE DES FIGURES**

1. Nomenclature des pièces principales
2. Ouverture du magasin à cartouches
3. Sûreté en position verrouillée
4. Vue sur l'indicateur d'armement armé
5. Réglage de la détente à une seule résistance
6. Réglage de la détente à double résistance
7. Réglage du mécanisme de détente avec gâchette
8. Détail des vis de réglage du guidon
9. Détail des vis de réglage de la hausse
10. Pression sur l'arrêtoir de la culasse
11. Démontage de la culasse

Le fabricant se réserve le droit de réaliser des modifications nécessaires à l'amélioration de ses modèles ou répondant à des exigences de caractère technique ou commercial.

NOTES - NOTAS - POZNÁMKY - ANMERKUNGEN - NOTICES

---

---

---

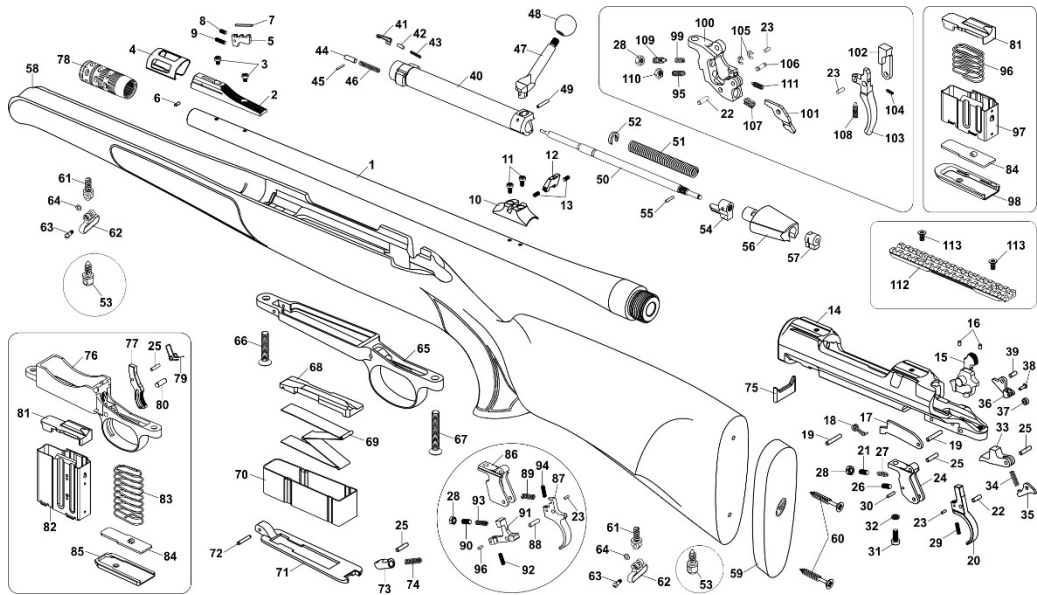
---

---

---

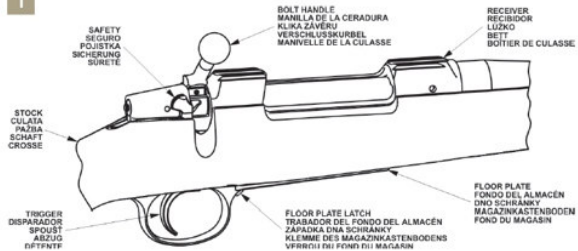
---

---





1



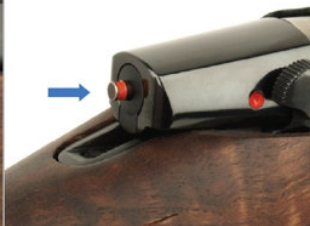
2



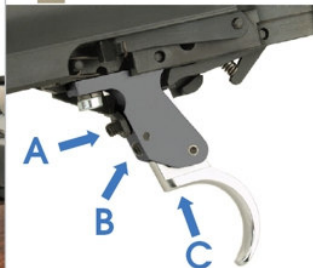
3



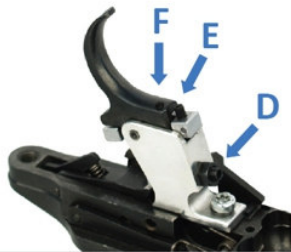
4



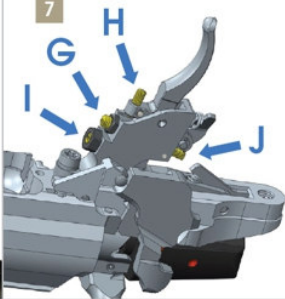
5



6



7



8



9



10



11

