

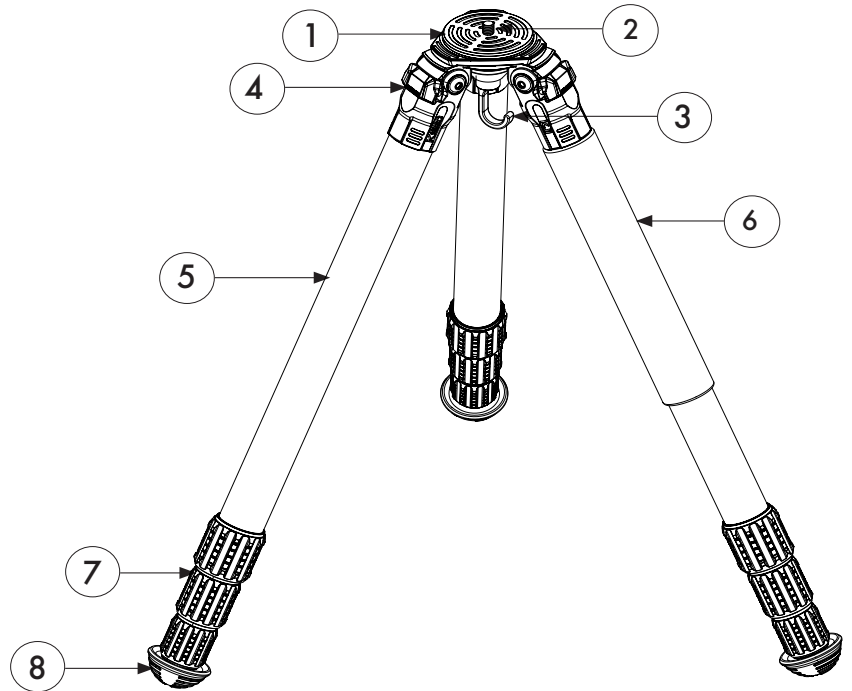


K-SERIES TRIPODS

QUICK START GUIDE

Components Diagram:

1. Tripod Top & Mounting Surface
2. 3/8"-16 Mounting Screw
3. Hook
4. Angle Stop
5. Leg (Aluminum or Carbon Fiber)
6. Padded Grip
7. Twist Lock
8. Rubber Foot



Operation:

Setting Tripod Leg Positions 25°, 56°, or 82°

- 25° Position (Standard)
 - Pull the legs outward. The angle lock's factory default is set at 25°.
- 56° and 82° Positions
 - Pull the angle lock outward until it clicks.
 - Extend the leg outward toward the desired angle.
 - Press the angle lock back in.
 - Finish pulling the leg until the lock seats against the tripod's angle tab.

To reset to a narrower angle or collapse the tripod, push the legs back to center. The angle lock will automatically return.

Adjusting Leg Tension

Each leg has a mounting screw for tension adjustment. Use the supplied hex key:

- If the legs are too tight: Turn the screw counterclockwise.
- If the legs are too loose: Turn the screw clockwise.

Adjusting Leg Extensions

- Loosen the twist locks by turning them clockwise.
- Extend the leg sections to the desired length.
- Tighten the locks by turning them counterclockwise until snug.

Changing Tripod Feet

Your tripod includes two sets of feet: rubber (installed) and spike (in the tripod bag).

- Remove the rubber feet by unscrewing them counterclockwise.
- Install the spike feet by threading them clockwise.
- For extra tightening, insert the supplied hex key into the through-hole of the spike foot.

Swapping The Dish Top / Fixed Top

**** For K900 Series tripods only ****

K900 tripods come with a fixed top plate and hook, but can be fitted with an optional leveling dish.

To remove the fixed plate:

1. Unscrew and remove the hook.
2. Lift the top plate off to expose the bowl.

To install the leveling dish:

1. Place the dish into the bowl.
2. Thread the pull handle onto the stud at the base.
3. Hand tighten until secure.

For more information regarding Customer Service, Maintenance, Operations, & Warranty please scan the QR code or visit www.kjitripods.com

KJI is a trademark of Sellmark Corporation, all rights reserved.
All trademarks and registered trademarks are the property of their respective owners.
KJI, 2201 Heritage Pkwy Mansfield, TX 76063, USA
Manufactured for Sellmark Corporation. In EU, distributed by Sellmark OOD
104 A Akademik Ivan E.Geshov Blvd, Floor 4, Office 6, 1612 Sofia, Bulgaria



K500 – KJ85006
K700 – KJ85007
K750 – KJ85008
K920 – KJ85009
K950 – KJ85010