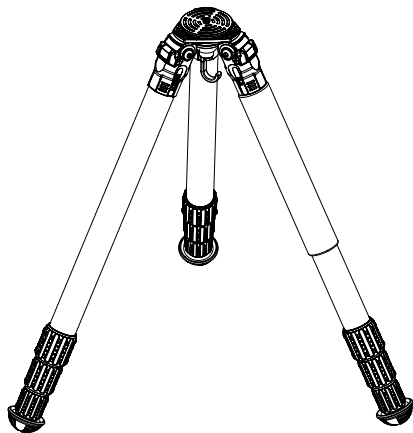




**K-SERIES TRIPODS**



**USER MANUAL**

**K500 - KJ85006**

**K700 - KJ85007**

**K750 - KJ85008**

**K920 - KJ85009**

**K950 - KJ85010**

## About KJI:

KJI delivers precision-engineered stability solutions designed to empower ambitious professionals with unshakable control and adaptability in the most demanding environments. Whether for tactical operations, long-range precision shooting, or extreme hunting, KJI products provide the confidence and reliability needed to master every shot.

[www.kjitrifods.com](http://www.kjitrifods.com)

## About KJI K-Series Tripods

KJI's K-Series marks the next generation of shooting tripods, redesigned from the ground up to raise the standard of stability. Built from carbon fiber or precision-machined aluminum, every K-Series model delivers the balance shooters demand: lightweight portability without compromising strength. Utilizing KJI's new CNC-machined twist-lock system, these rugged tripods are engineered for rapid deployment and rock-solid hold in the harshest conditions.

With three independent leg angles (23°, 55°, 83°) and broad height ranges, the K-Series adapts instantly from standing to kneeling to prone positions. Interchangeable rubber and spike feet keep each tripod planted on concrete, gravel, mud, or grass, while compact folded lengths make them easy to haul into the backcountry or stage on the firing line.

### Shared Features List

- New CNC-machined twist-lock system for fast, secure adjustments
- Hard-anodized aluminum hardware for lasting durability
- Three adjustable leg angles: 23°, 55°, 83°
- Wide height ranges for standing, kneeling, or prone setups
- Interchangeable rubber and spike feet for reliable grip on any surface
- Dual accessory mounts: 1/4"-20 and 3/8"-16
- Fully compatible with KJI Reaper Grip, Reaper Rail (Picatinny/Arca/Deathlocc), and KJI Ball Heads

### Included Accessories

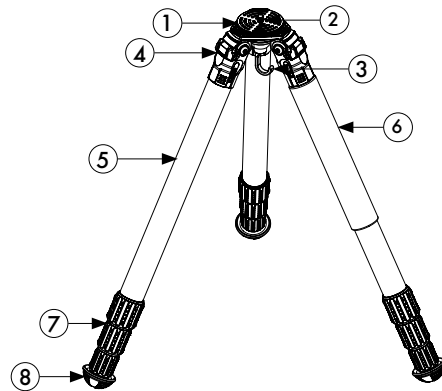
- Storage Bag
- 3mm Hex Key
- 5mm Hex Key
- 3x Spike Feet

**TECHNICAL SPECIFICATIONS**

	K500 KJ85006	K700 KJ85007	K750 KJ85008	K920 KJ85009	K950 KJ85010
Number of Leg Sections	4	4	4	2	4
Load Capacity 1st Position (lb/kg)	80 / 36.7	150 / 68	150 / 68	170 / 76.8	170 / 76.8
Leg Angle 1st Position	23°	23°	23°	23°	23°
Max Height 1st Position (in/mm)	53.9 / 1368	56.3 / 1429	56.3 / 1429	66.4 / 1686	71.5 / 1816
Min Height 1st Position (in/mm)	17.8 / 450	18.6 / 473	18.6 / 473	37.1 / 943	23.4 / 594
Leg Angle 2nd Position	55°	55°	55°	55°	55°
Max Height 2nd Position (in/mm)	32.9 / 835	34.5 / 876	34.5 / 876	42 / 1067	44.8 / 1136
Min Height 2nd Position (in/mm)	11.4 / 288	12 / 305	12 / 305	24 / 610	15.5 / 394
Leg Angle 3rd Position	83°	83°	83°	83°	83°
Max Height 3rd Position (in/mm)	6.1 / 156	7.25 / 184	7.25 / 184	11.5 / 292	10.9 / 276
Min Height 3rd Position (in/mm)	3.0 / 76.2	3.5 / 89	3.5 / 89	7.25 / 184	5.3 / 133
Folded Length (in/mm)	19.1 / 486	20.1 / 511	20.1 / 511	40 / 1016	25.6 / 651
Folded Diameter (in/mm)	3.1 / 78.5	3.5 / 88	3.5 / 88	5.44 / 138	5.4 / 138
Weight (lb/kg)	3.1 / 1.4	3.9 / 1.8	3.1 / 1.4	5.8 / 2.7	6.2 / 2.8
Top Diameter (in/mm)	1.65 / 42	1.81 / 46	1.81 / 46	2.9 / 74	2.9 / 74
Leg Diameters (mm)	26 - 22 - 18 - 15	30 - 26 - 22 - 18	30 - 26 - 22 - 18	39 - 35	39 - 35 - 31 - 27
Top Mounting Interface	3/8"-16	3/8"-16	3/8"-16	3/8"-16	3/8"-16
Leg Locking Type	Twist	Twist	Twist	Twist	Twist
Body / Leg Material	Aluminum / Aluminum	Aluminum / Aluminum	Aluminum / Carbon Fiber	Aluminum / Carbon Fiber	Aluminum / Carbon Fiber

## Components Diagram:

1. Tripod Top & Mounting Surface
2. 3/8"-16 Mounting Screw
3. Hook
4. Angle Stop
5. Leg (Aluminum or Carbon Fiber)
6. Padded Grip
7. Twist Lock
8. Rubber Foot



## Operation:

### Adjusting Tripod Leg Angles

The legs of the tripod can be set to 3 different angles at 23, 55, and 83 degrees.

**23° Leg Position** - To set the legs at 23°, simply pull them outward. The angle lock is already set for this position, so no other adjustment is needed. This quick method works only for the 23° angle.

### 55° and 83° Positions

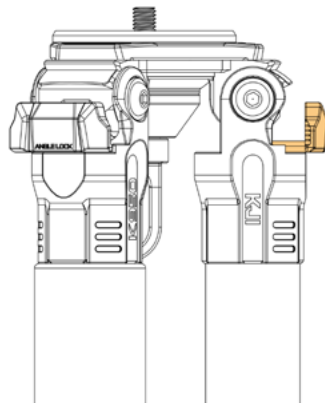
For the wider leg angles:

1. Pull the angle lock outward until you hear it click into place.
2. Extend the leg outward toward the desired angle.
3. As the leg approaches position, press the angle lock back in.
4. Finish pulling the leg outward until the lock seats firmly against the tripod's angle tab.

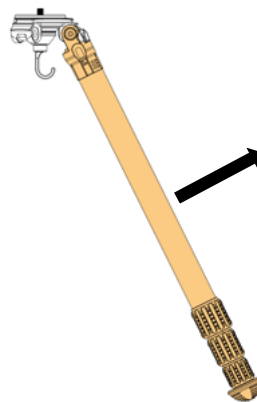
### Returning the Tripod to a Narrower Angle or Collapsed Position

To reset the tripod to a bypassed angle or to fold it back down completely, push the legs inward toward the center. The angle lock will automatically reset itself.

Step 1 - Pull out Angle Lock



Step 2 - Pull out leg to desired angle  
23° / 55° / 83°

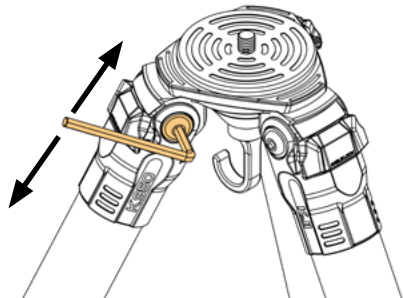


## Leg Tension Adjustment Screws

To adjust the tension on each leg, insert the supplied hex key into the mounting screws and tighten or loosen as needed.

**Legs Too Tight:** If the legs are difficult to move into position, loosen the screw by turning it counterclockwise with the supplied hex key.

**Legs Too Loose:** If the legs move too freely, tighten the screw by turning it clockwise with the supplied hex key.



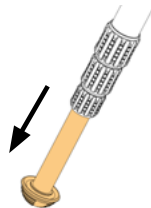
## Leg Extension Twist Lock Adjustments

1. Loosen the twist locks by turning them clockwise.
2. Pull the leg sections out to the desired length.
3. Secure the legs by turning the twist locks counterclockwise until hand tight.

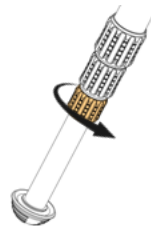
Step 1  
Loosen the twist locks  
(Rotate clockwise)



Step 2  
Pull leg extensions to  
desired length



Step 3  
Tighten the twist locks  
(Rotate counterclockwise)

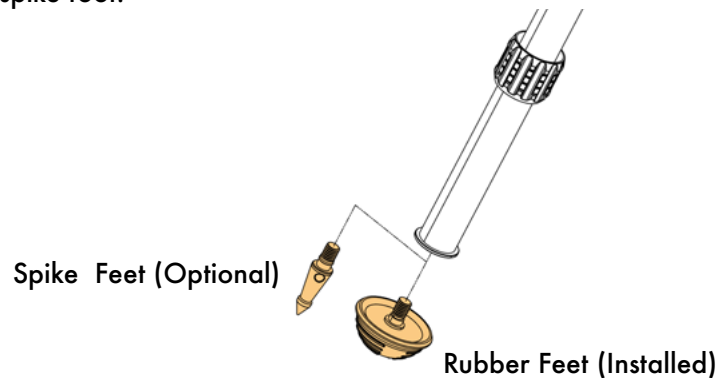


## Swapping to Optional Feet

Your tripod includes two sets of feet: **rubber** (pre-installed) and **spike** (stored in the tripod bag).

### To switch them:

1. Remove the rubber feet by unscrewing them counterclockwise.
2. Insert the spike feet and screw them in clockwise until secure.
3. For extra tightening, use the supplied hex key in the through-hole of each spike foot.



## Dish top / Fixed Top (for K900 Series tripods only)

K900 tripods come with a fixed top plate and hook, but you can replace it with an optional leveling dish.

### To remove the fixed plate:

1. Unscrew and remove the hook.
2. Lift the top plate off to expose the bowl.

### To install the leveling dish:

1. Place the leveling dish into the bowl.
2. Thread the pull handle onto the stud at the base.
3. Hand tighten until secure.



## Maintenance:

### Storage

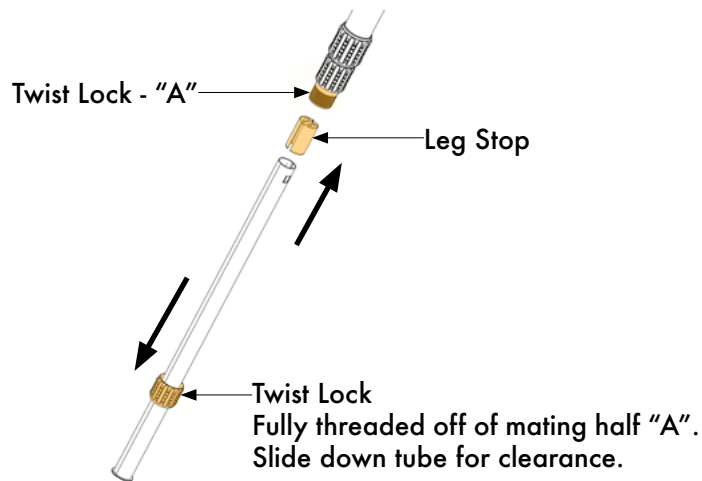
To ensure that your K-Series tripod always stays in prime working condition, remove all mounts prior to storage. Once the tripod is collapsed and ready for storage place the tripod into the supplied storage/carry bag.

### Cleaning

To clean the tripod, wipe down with a damp cloth. Mild detergent may be used if the mount is very dirty. No lubricants or special cleaners are necessary.

For more thorough cleaning of the legs, fully unscrew the twist lock that is holding the leg section in place. With the twist lock fully unscrewed pull the leg portion outward. This will expose the leg stop (black plastic component). Use a flat head screw driver to pry the leg stop off of the leg. With the leg out of the tripod use compressed air to blow out the inner tube to clean. A damp rag with mild detergent can also be used. Let components dry fully prior to re-assembly of the legs.

To re-assemble the tripod repeat the disassembly steps in reverse.





KJI is a trademark of Sellmark Corporation, all rights reserved.

All trademarks and registered trademarks  
are the property of their respective owners.

KJI, 2201 Heritage Pkwy Mansfield, TX 76063, USA

Manufactured for Sellmark Corporation.

In EU, distributed by Sellmark OOD

104 A Akademik Ivan E.Geshov Blvd, Floor 4, Office 6, 1612 Sofia, Bulgaria